

# Product data sheet

Specifications



## discrete output module Modicon Quantum - 16 O

140DRA84000

! To be discontinued on: 31 December 2022

! To be end-of-service on: 31 December 2030

! To be discontinued

### Main

Range of product	Modicon Quantum automation platform
Product or component type	Relay discrete output module
Discrete output number	16

### Complementary

Contacts type and composition	1 NO
Contact form	Form A
Discrete output voltage	20...250 V AC 30...150 V DC 5...30 V DC
Addressing requirement	1 output word
Minimum load	50 mA at 20...250 V AC 50 mA at 5...30 V DC
Maximum load current	1 A 250/30 V AC/DC 1/8 hp cos phi = 0.4 1 A 250/30 V AC/DC tungsten 2 A 250/30 V AC/DC resistive at 60 °C 300 mA 30...50 V DC resistive
Surge current	10 A for 10 ms capacitive
Switching capacity in VA	500 VA resistive
Maximum response time on input open	10 ms at state 0 to state 1 20 ms at state 1 to state 0
Mechanical durability	10000000 cycles
Electrical durability	100000 cycles 100 mA 30...150 V DC L/R = 10 ms 100000 cycles 2 A 30 V DC resistive 100000 cycles 30...150 V DC interposing relay 100000 cycles 300 mA 30...150 V DC resistive 200000 cycles 2 A 250 V AC resistive 50000 cycles 500 mA 30...150 V DC resistive
Output overvoltage protection	Internal by varistor, 275 V
Isolation between channels	1780 Vrms AC for 1 minute
Isolation between channels and bus	1780 Vrms AC for 1 minute 2500 V DC for 1 minute
Power dissipation	5.5 W + (0.5 x the number of points on)
Marking	CE
Local signalling	1 LED (green) for bus communication is present (Active) 1 LED (red) for external fault detected (F)

16 LEDs (green) for input status

<b>Bus current requirement</b>	1100 mA
<b>Module format</b>	Standard
<b>Net weight</b>	0.41 kg

## Environment

<b>Product certifications</b>	FM Class 1 Division 2 C-Tick GOST ABS
<b>Standards</b>	UL 508 CSA C22.2 No 142
<b>Resistance to electrostatic discharge</b>	4 kV contact conforming to IEC 801-2 8 kV on air conforming to IEC 801-2
<b>Resistance to electromagnetic fields</b>	10 V/m 80...2000 MHz conforming to IEC 801-3
<b>Ambient air temperature for operation</b>	0...60 °C
<b>Ambient air temperature for storage</b>	-40...85 °C
<b>Relative humidity</b>	95 % without condensation
<b>Operating altitude</b>	<= 5000 m

## Packing Units

<b>Unit Type of Package 1</b>	PCE
<b>Number of Units in Package 1</b>	1
<b>Package 1 Weight</b>	545 g
<b>Package 1 Height</b>	163 mm
<b>Package 1 width</b>	45 mm
<b>Package 1 Length</b>	312 mm
<b>Unit Type of Package 2</b>	S03
<b>Number of Units in Package 2</b>	7
<b>Package 2 Weight</b>	4.46 kg
<b>Package 2 Height</b>	30 cm
<b>Package 2 width</b>	30 cm
<b>Package 2 Length</b>	40 cm
<b>Unit Type of Package 3</b>	P12
<b>Number of Units in Package 3</b>	168
<b>Package 3 Weight</b>	116.04 kg
<b>Package 3 Height</b>	80 cm
<b>Package 3 width</b>	120 cm
<b>Package 3 Length</b>	105 cm

## Offer Sustainability

<b>Sustainable offer status</b>	Green Premium product
<b>REACH Regulation</b>	<a href="#">REACH Declaration</a>
<b>REACH free of SVHC</b>	Yes
<b>EU RoHS Directive</b>	Pro-active compliance (Product out of EU RoHS legal scope) <a href="#">EU RoHS Declaration</a>

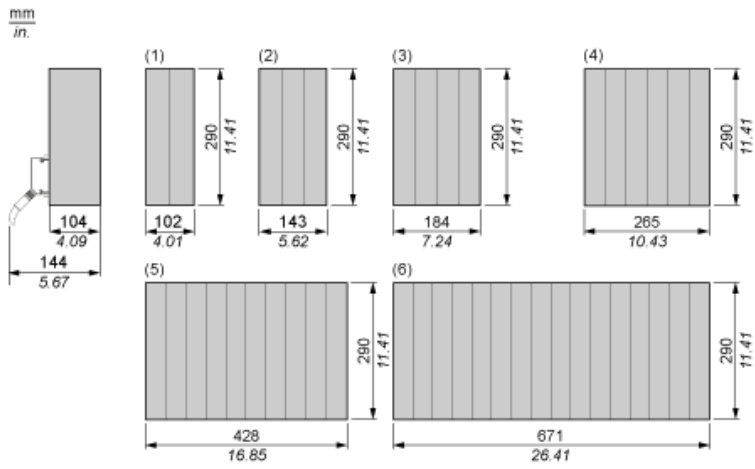
<b>Mercury free</b>	Yes
<b>RoHS exemption information</b>	<a href="#">Yes</a>
<b>China RoHS Regulation</b>	<a href="#">China RoHS declaration</a>
<b>Environmental Disclosure</b>	<a href="#">Product Environmental Profile</a>
<b>Circularity Profile</b>	<a href="#">End of Life Information</a>
<b>WEEE</b>	The product must be disposed on European Union markets following specific waste collection and never end up in rubbish bins
<b>California proposition 65</b>	WARNING: This product can expose you to chemicals including: Lead and lead compounds, which is known to the State of California to cause cancer and birth defects or other reproductive harm. For more information go to <a href="http://www.P65Warnings.ca.gov">www.P65Warnings.ca.gov</a>

## Contractual warranty

<b>Warranty</b>	18 months
-----------------	-----------

**Racks for Modules Mounting**

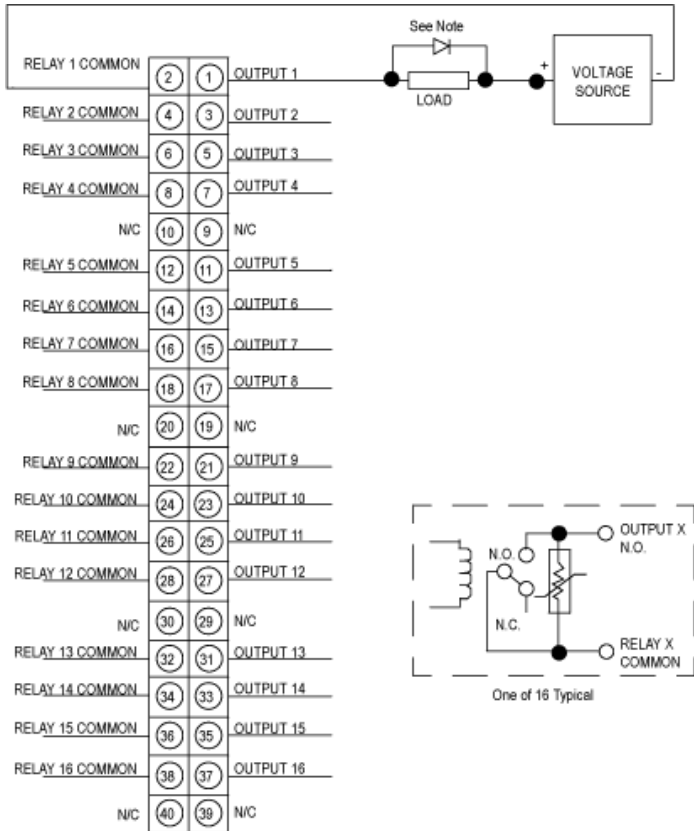
**Dimensions of Modules and Racks**



- (1) 2 slots
- (2) 3 slots
- (3) 4 slots
- (4) 6 slots
- (5) 10 slots
- (6) 16 slots

**Relay Output Normally Open Module**

**Wiring Diagram**



**N/C** Not Connected  
**N.O.** Normally Open  
**N.C.** Normally Closed

**Recommended replacement(s)**

140DRA84000 is replaced by:

1x



discrete module X80 - 8 NO Type A - Isolated relays - 125 V DC/250 V AC  
 BMXDRA0815