

Installation instruction for 140G-G, 140MG-G
 Istruzioni di installazione
 Installationsanleitung
 Instructions pour l'installation
 Instrucciones de instalación

**! Installation - Installazione - Instalación
 Instalação - 取付け方法 - 安装**

WARNING: To prevent electrical shock, disconnect from power source before installing or servicing. Install in suitable enclosure. Keep free from contaminants. (Follow NFPA70E requirements).

AVVERTENZA: Per prevenire infortuni, togliere tensione prima dell'installazione o manutenzione. Installare in custodia idonea. Tenere lontano da contaminanti. (Seguire i requisiti NFPA70E).

WARNUNG: Vor Installations- oder Servicearbeiten Stromversorgung zur Vermeidung von elektrischen Unfällen trennen. Die Geräte müssen in einem passenden Gehäuse eingebaut und gegen Verschmutzung geschützt werden. (Befolgen Sie die Anforderungen nach NFPA70E).

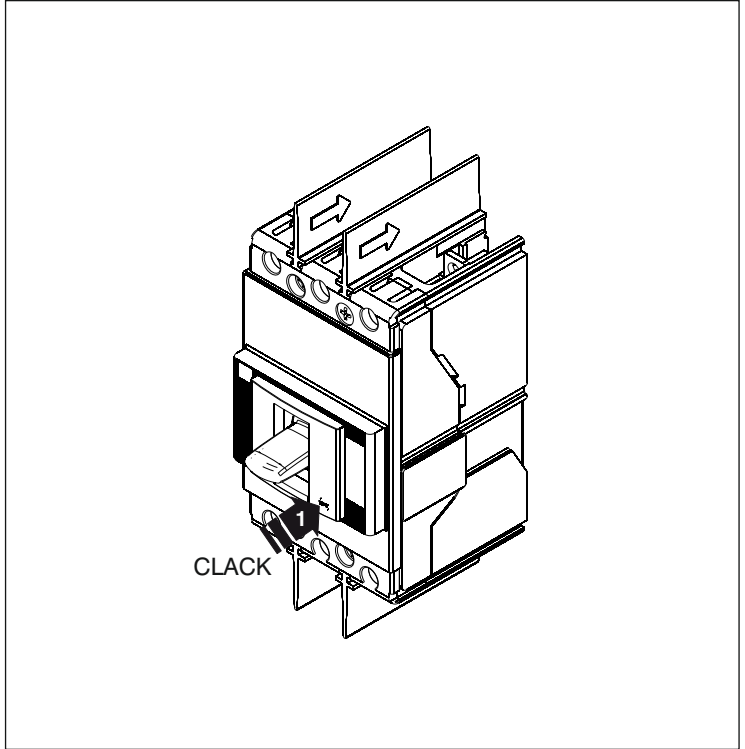
AVERTISSEMENT: Avant le montage et la mise en service, couper l'alimentation secteur pour éviter toute décharge. Prévoir une mise en coffret ou armoire appropriée. Protéger le produit contre les environnements agressifs. (Vous devez respecter la norme NFPA70E).

ADVERTENCIA: Desconéctese de la corriente eléctrica, antes de la instalación o del servicio, a fin de impedir sacudidas eléctricas. Instálelo en una caja apropiada. Manténgalo libre de contaminantes. (Cumpla con los requisitos NFPA70E).

ATENÇÃO: Para evitar choques, desconectar da corrente elétrica antes de fazer a instalação ou a manutenção. Instalar em caixa apropriada. Manter livre de contaminantes. (Cumpra as exigências da norma NFPA70E).

警告：感電事故防止のため、取付けまたは修理の際は電源から取り外してください。適切なケース内に取付けてください。また、汚染物質がないことを確認してください。（NFPA70Eの要件に従ってください）

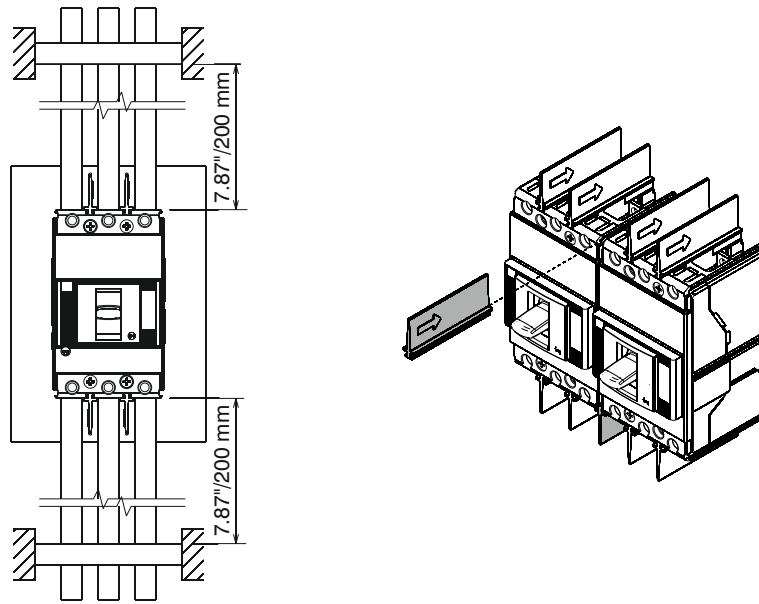
警告：为了防止触电，在安装或维修之前必须先切断电源。安装在合适的设备箱内。防止接触污染物。符合NFPA70E要求）



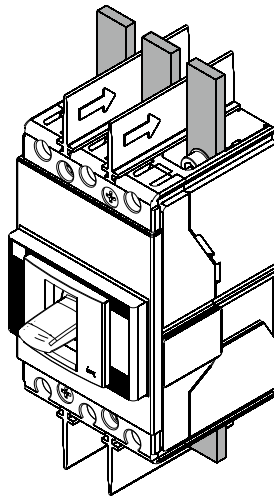
	Mounting hardware		Phase barrier	End cap kit	Carter	Insulator	Insulator	Side cover														
	<table border="1"> <tr><th>LENGTH</th><th>M</th></tr> <tr><td>73 mm (2.87")</td><td>M4</td></tr> </table>	LENGTH	M	73 mm (2.87")	M4	<table border="1"> <tr><th>M</th></tr> <tr><td>M4</td></tr> </table>	M	M4		<table border="1"> <tr><th>LENGTH</th><th>M</th></tr> <tr><td>14 mm (0.55")</td><td>M6</td></tr> </table>	LENGTH	M	14 mm (0.55")	M6	<table border="1"> <tr><th>LENGTH</th><th>∅</th></tr> <tr><td>12 mm (0.47")</td><td>3</td></tr> </table>	LENGTH	∅	12 mm (0.47")	3			
LENGTH	M																					
73 mm (2.87")	M4																					
M																						
M4																						
LENGTH	M																					
14 mm (0.55")	M6																					
LENGTH	∅																					
12 mm (0.47")	3																					
3p 	140G-G-MH3 x2	x2	x2	140G-G-PB3M x4	x6	x2	—	x1														
4p 	140G-G-MH4 x3	x3	x3	140G-G-PB4M x6	x8	x2	—	x2														

1

Maximum recommended conductor support distance

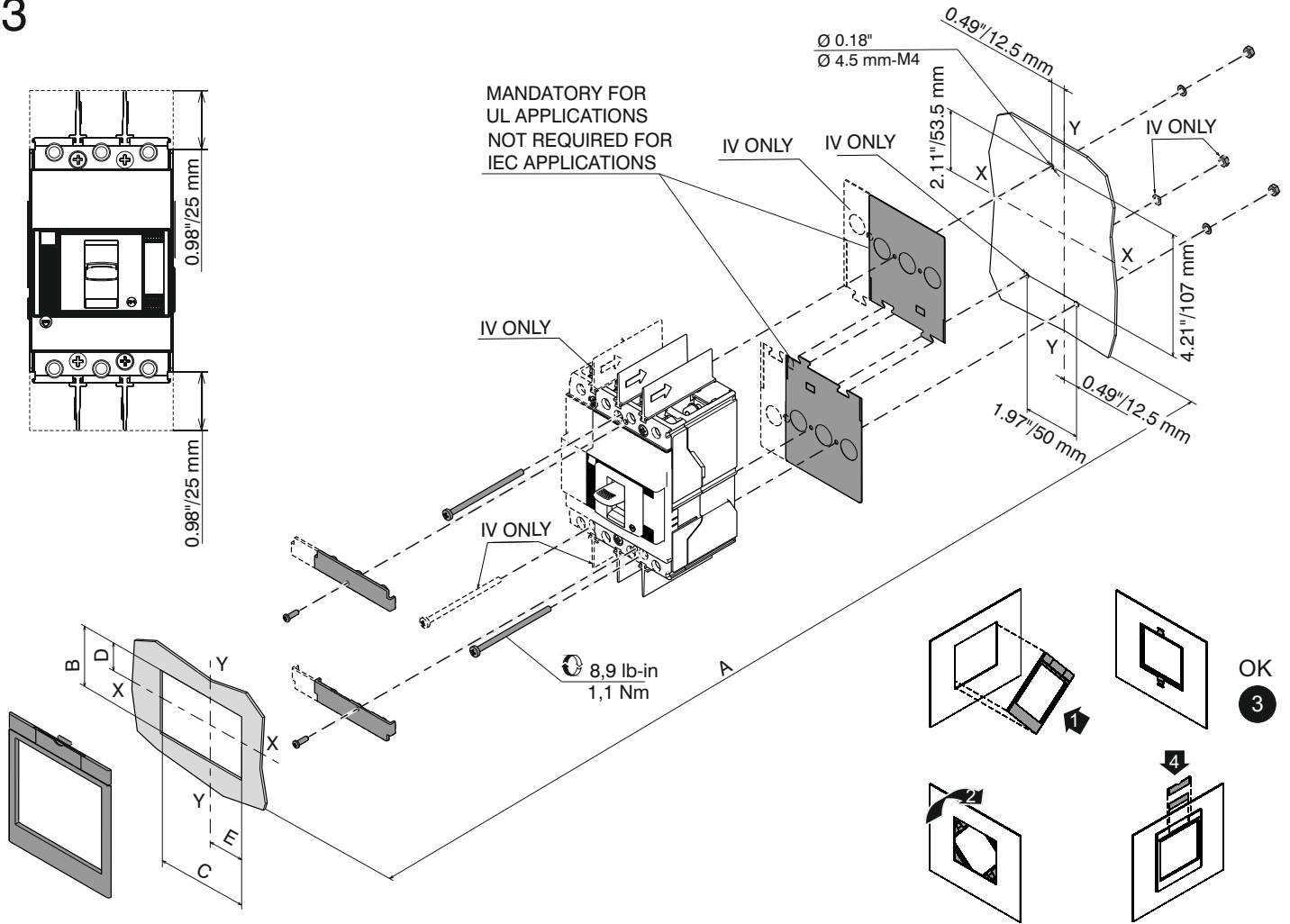


2



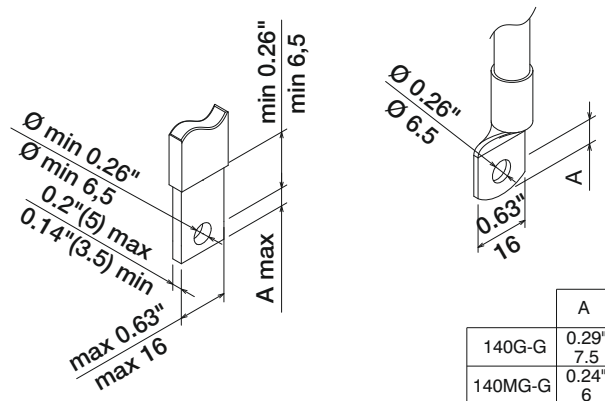
- Use cable or insulated busbars/ or perform specific type test on the installation.
- Usare cavi o barre isolate/ o eseguire prove di tipo specifiche sull' installazione.
- Kabel oder isolierte Sammelschienen verwenden/ oder die spezifische Typprüfung auf der Installation durchführen.
- Utiliser un câble ou des barres isolées/ ou réaliser un test de type spécifique sur installation.
- Utilizar un cable o barras aisladas/ o efectuar una prueba de tipo específico sobre instalación.

3



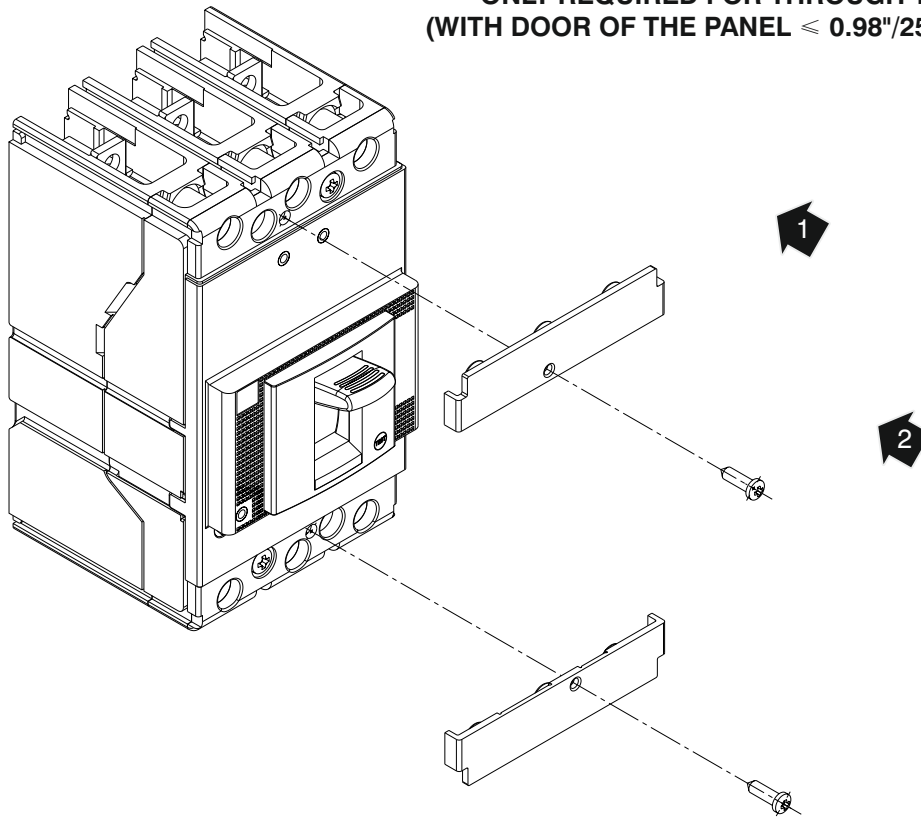
		A	B	C	D	E
WITHOUT ESCUTCHEON	III-IV	3.11" 79 mm	1.69" 43 mm	1.85" 47 mm	0.59" 15 mm	0.93" 23.5 mm
	III	2.79" 71 mm	1.85" 47 mm	2.87" 73 mm	0.67" 17 mm	1.44" 36.5 mm
	IV	2.79" 71 mm	1.85" 47 mm	3.86" 98 mm	0.67" 17 mm	1.44" 36.5 mm
	WITH ESCUTCHEON	III	2.91" 74 mm	2.16" 55 mm	3.19" 81 mm	0.83" 21 mm
	IV	2.91" 74 mm	2.16" 55 mm	4.17" 106 mm	0.83" 21 mm	1.59" 40.5 mm

4



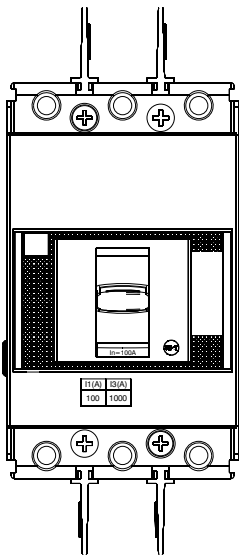
5

**ONLY REQUIRED FOR THROUGH THE DOOR APPLICATION
(WITH DOOR OF THE PANEL ≤ 0.98"/25 mm FROM THE FRONT)**



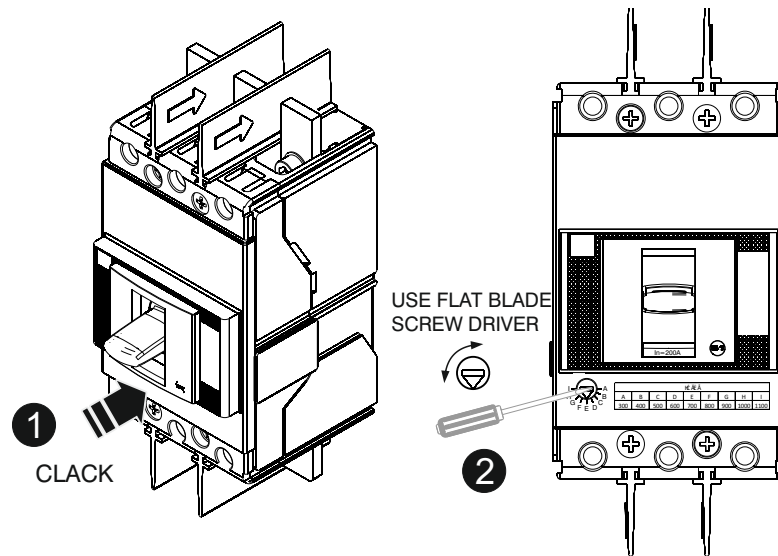
6

140G-G THERMOMAGNETIC TRIP UNIT



Type	In	I1	I3		
Fixed	15	15	500		
Fixed	16	16	500		
Fixed	20	20	500		
Fixed	25	25	500		
Fixed	30	30	500		
Fixed	32	32	500		
Fixed	35	35	500		
Fixed	40	40	500		
Fixed	50	50	500		
Fixed	60	60	600		
Fixed	63	63	630		
Fixed	70	70	700		
Fixed	80	80	800		
Fixed	90	90	900		
Fixed	100	100	1000		
Fixed	110	110	1100		
Fixed	125	125	1250		
Type	In	Min	Med	Max	I3
Adjustable	160*	112	136	160	1600

*IEC ONLY



- Manually trip the breaker prior to any adjustment of the magnetic trip settings.
- E'obbligatorio mettere l'interruttore in posizione Trip test prima di regolare il termomagnetico.
- Der Leistungsschalter muss vor Einstellung des thermomagnetischen Auslösers zwingend in die Prüfstellung geschaltet werden.
- Il est obligatoire de mettre le disjoncteur en position de Test de Déclenchement avant de régler le déclencheur magnétothermique.
- Es obligatorio situar el interruptor en posición "Test de Disparo" antes de realizar el ajuste del relé termomagnético.

		I3								
In		A	B	C	D	E	F	G	H	I
3	from 4 In to 11 In	12	15	17	20	23	25	28	30	33
7	from 4 In to 11 In	28	34	40	46	53	59	65	71	77
15	from 3 In to 11 In	45	60	75	90	105	120	135	150	165
30	from 3 In to 11 In	90	120	150	180	210	240	270	300	330
50	from 3 In to 11 In	150	200	250	300	350	400	450	500	550
70	from 3 In to 11 In	210	280	350	420	490	560	630	700	770
80	from 3 In to 11 In	240	320	400	480	560	640	720	800	880
100	from 3 In to 11 In	300	400	500	600	700	800	900	1000	1100
125	from 3 In to 11 In	375	500	625	750	875	1000	1125	1250	1375

Allen-Bradley, Rockwell Software, and Rockwell Automation are trademarks of Rockwell Automation, Inc.
Trademarks not belonging to Rockwell Automation are property of their respective companies.

www.rockwellautomation.com

Power, Control and Information Solutions Headquarters

Americas: Rockwell Automation, 1201 South Second Street, Milwaukee, WI 53204-2496 USA, Tel: (1) 414.382.2000, Fax: (1) 414.382.4444

Europe/Middle East/Africa: Rockwell Automation NV, Pegasus Park, De Kleetlaan 12a, 1831 Diegem, Belgium, Tel: (32) 2 663 0600, Fax: (32) 2 663 0640

Asia Pacific: Rockwell Automation, Level 14, Core F, Cyberport 3, 100 Cyberport Road, Hong Kong, Tel: (852) 2887 4788, Fax: (852) 2508 1846

Rockwell Automation maintains current product environmental compliance information on its website at <http://www.rockwellautomation.com/rockwellautomation/about-us/sustainability-ethics/product-environmental-compliance.page>