

ROBOTICS

Product manual, spare parts

IRB 6640



Trace back information:

Workspace OmniCore and R19C version a16

Checked in 2019-09-16

Skribenta version 5.3.012

Product manual, spare parts

IRB 6640-180/2.55

IRB 6640-235/2.55

IRB 6640-205/2.75

IRB 6640-185/2.8

IRB 6640-130/3.2

IRB 6640ID-200/2.55

IRB 6640ID-170/2.75

IRC5

Document ID: 3HAC038330-001

Revision: Q

The information in this manual is subject to change without notice and should not be construed as a commitment by ABB. ABB assumes no responsibility for any errors that may appear in this manual.

Except as may be expressly stated anywhere in this manual, nothing herein shall be construed as any kind of guarantee or warranty by ABB for losses, damages to persons or property, fitness for a specific purpose or the like.

In no event shall ABB be liable for incidental or consequential damages arising from use of this manual and products described herein.

This manual and parts thereof must not be reproduced or copied without ABB's written permission.

Keep for future reference.

Additional copies of this manual may be obtained from ABB.

Original instructions.

© Copyright 2010-2019 ABB. All rights reserved.
Specifications subject to change without notice.

Table of contents

Overview of this manual	7
Product documentation	10
1 Rebuilding parts	13
2 Spare parts - balancing device	17
3 Spare parts - lower arm	21
4 Spare parts - motors	23
5 Spare parts - wrist unit	27
6 Spare parts - axis 6 complete	31
7 Spare parts - turning disk	33
8 Spare parts - gearboxes	35
9 Spare parts - Arm house	39
10 Spare parts - axis 3-4	41
11 Spare parts - upper arm	43
12 Spare parts - upper arm extenders	47
13 Spare parts - SMB	49
14 Spare parts - manipulator harness	53
15 Spare parts - other parts	57
16 Upgrade set Foundry Plus sealing	59
17 Upgrade set Foundry Prime sealing	61
18 Over pressure system Foundry Prime	63

This page is intentionally left blank

Overview of this manual

About this manual

This manual contains spare parts for:

- IRB 6640 and all its variants.

Usage

This manual shall be used as a complement to the product manual for IRB 6640 during:

- maintenance work
- repair work.

Who should read this manual?

This manual is intended for:

- maintenance personnel
- repair personnel.

Prerequisites

Maintenance/repair/installation personnel working with an ABB Robot must:

- be trained by ABB and have the required knowledge of mechanical and electrical installation/repair/maintenance work.

References

Reference	Document ID
<i>Product manual - IRB 6640 Foundry Prime</i>	3HAC040586-001
<i>Product manual - IRB 6640</i>	3HAC026876-001
<i>Circuit diagram - IRB 6640</i>	3HAC025744-001

Revisions

Revision	Description
-	First edition
A	This revision includes following additions and/or changes: <ul style="list-style-type: none"> • Section Rebuilding parts on page 13 added. • Section Manipulator harness - other parts on page 54 position 532 changed.

Continues on next page

Revision	Description
B	<p>This revision includes following corrected, added or deleted spare part numbers:</p> <ul style="list-style-type: none"> • axis-5 motor, complete axis 6, see Rebuilding parts on page 13. • axis-3 motor and axis-5 motors, see Spare parts - motors on page 23. • balancing device, design 2 and VK covers, see Balancing device - design 2 on page 19. • cover, sealing and gasket for armhouse, see Spare parts - Arm house on page 39. • axis 3-4, see Spare parts - axis 3-4 on page 41. • support shaft including bearing, see Spare parts - wrist unit on page 27. • cradle for the balancing device, see Spare parts - balancing device on page 17. • turning disk, see Spare parts - turning disk on page 33. • attachment screw, see Spare parts - gearboxes on page 35. • arm extenders, see Spare parts - upper arm extenders on page 47. • covers, see Spare parts - SMB on page 49. • gaskets for Foundry Plus and Foundry Prime, see Spare parts - upper arm extenders on page 47, Spare parts - wrist unit on page 27 and Spare parts - upper arm on page 43. • motor gasket for Clean Room, see Spare parts - motors on page 23.
C	<p>This revision includes following corrected, added or deleted spare part numbers:</p> <ul style="list-style-type: none"> • Deleted 3HAC029980-001 and 3HAC030432-001 in section Spare parts - manipulator harness on page 53. • A new SMB unit and battery is introduced, with longer battery lifetime. • Upgrade kit Foundry/Prime sealing, added to spare parts, see Upgrade set Foundry Prime sealing on page 61 • Material set added, see Over pressure system Foundry Prime on page 63
D	<p>This revision includes following corrected, added or deleted spare part numbers:</p> <ul style="list-style-type: none"> • Article number added for SMB-cover Foundry prime, see Spare parts - SMB on page 49 • Upgrade set Foundry Prime sealing on page 61 • Over pressure system Foundry Prime on page 63
E	<p>This revision includes following corrected, added or deleted spare part numbers:</p> <ul style="list-style-type: none"> • Spare parts with color Graphite White are added to the spare part lists.
F	<p>This revision includes the following updates:</p> <ul style="list-style-type: none"> • Changed spare part number for axis-6 motor gasket. • Changed spare part numbers for label sets, oil labels.
G	<p>This revision includes the following updates:</p> <ul style="list-style-type: none"> • Minor changes.
H	<p>This revision includes the following updates:</p> <ul style="list-style-type: none"> • Titel "Upgrade kit Foundry Plus/Prime sealing" changed to "Upgrade set Foundry Plus/Prime sealing". • New article numbers for "Upgrade set Foundry Prime sealing". • Minor corrections.
J	<p>This revision includes the following updates:</p> <ul style="list-style-type: none"> • Article numbers for SMB cover ABB orange and Graphite white added. • Generally modified due to update of BOL

Revision	Description
K	Published in release R16.2. The following updates are done in this revision: <ul style="list-style-type: none"> • Corrections due to updates in terminology. • Updated spare parts due to sealing upgrade in the motors: <ul style="list-style-type: none"> - Motors - Axis 3-4 - Wrist - Axis 6 complete
L	Published in release R17.2. The following updates are done in this revision: <ul style="list-style-type: none"> • Information regarding over pressure unit added. • Spare part number for axis-5 motor excl. pinion updated (is 3HAC059034-002, was 3HAC060331-001). • Added article numbers for screw and washer to wrist cover.
M	Published in release R18.1. The following updates are done in this revision: <ul style="list-style-type: none"> • Updated article number for over pressure unit (is 3HAC064142-003, was 3HAC062399-002). • Updated spare part number brake release board (was DSQC563).
N	Published in release R18.2. The following updates are done in this revision: <ul style="list-style-type: none"> • Updated spare parts for wrist unit (3HAC058947-005 removed, 3HAC023639-005 removed and 3HAC023639-004 changed to 3HAC024793-001).
P	Published in release 19B. The following updates are made in this revision: <ul style="list-style-type: none"> • Updated spare parts numbers for motor, axis 5, incl. pinion (is 3HAC023745-003, was 3HAC060333-001). • Updated spare parts numbers for motor, axis 6, incl. pinion (is 3HAC033225-001, was 3HAC060332-001). • Motor axis 6 incl. pinion, Graphite White is removed (was 3HAC060332-002). • Minor corrections.
Q	Published in release 19C. The following updates are made in this revision: <ul style="list-style-type: none"> • New spare part numbers for cable harnesses for robots with protection type Foundry Prime.

Product documentation

Categories for user documentation from ABB Robotics

The user documentation from ABB Robotics is divided into a number of categories. This listing is based on the type of information in the documents, regardless of whether the products are standard or optional.

All documents can be found via myABB Business Portal, www.myportal.abb.com.

Product manuals

Manipulators, controllers, DressPack/SpotPack, and most other hardware is delivered with a **Product manual** that generally contains:

- Safety information.
 - Installation and commissioning (descriptions of mechanical installation or electrical connections).
 - Maintenance (descriptions of all required preventive maintenance procedures including intervals and expected life time of parts).
 - Repair (descriptions of all recommended repair procedures including spare parts).
 - Calibration.
 - Decommissioning.
 - Reference information (safety standards, unit conversions, screw joints, lists of tools).
 - Spare parts list with corresponding figures (or references to separate spare parts lists).
 - References to circuit diagrams.
-

Technical reference manuals

The technical reference manuals describe reference information for robotics products, for example lubrication, the RAPID language, and system parameters.

Application manuals

Specific applications (for example software or hardware options) are described in **Application manuals**. An application manual can describe one or several applications.

An application manual generally contains information about:

- The purpose of the application (what it does and when it is useful).
- What is included (for example cables, I/O boards, RAPID instructions, system parameters, software).
- How to install included or required hardware.
- How to use the application.
- Examples of how to use the application.

Continues on next page

Operating manuals

The operating manuals describe hands-on handling of the products. The manuals are aimed at those having first-hand operational contact with the product, that is production cell operators, programmers, and troubleshooters.

This page is intentionally left blank

1 Rebuilding parts

Introduction

The robot has some rebuilding parts, depending on robot version. This section is an overview of which part is used on which version. The tables are divided according to the protection of the robot.

More detailed information about the components needed for actual rebuild from a certain robot version into an other is found on ABB Library or is attained from ABB.

Rebuilding parts - Standard and Foundry Plus

Description	Spare part number	Color	180/	235/	210/	205/	185/	130/	200/	170/
			2.55	2.55	2.55	2.75	2.8	3.2	2.55 (ID)	2.75 (ID)
Balancing device - design 1	3HAC028470-001	ABB Orange	X	X	X	X	X	X	X	X
Balancing device - design 2	3HAC032124-003	ABB Orange	X	X	X	X	X	X	X	X
	3HAC032124-005	Graphite White	X	X	X	X	X	X	X	X
Lower arm, design 2	3HAC034056-001	ABB Orange	X	X	X		X		X	
	3HAC034056-006	Graphite White	X	X	X		X		X	
Lower arm - long, design 2	3HAC034056-002					X		X		X
Motor, axis 1, incl. pinion	3HAC057545-005	ABB Orange	X	X	X	X	X	X	X	X
	3HAC057545-004	Graphite White	X	X	X	X	X	X	X	X
Motor, axis 2, incl. pinion	3HAC057542-003	ABB Orange	X	X	X	X	X	X	X	X
	3HAC057542-004	Graphite White	X	X	X	X	X	X	X	X
Motor, axis 3, incl. pinion	3HAC057546-003	ABB Orange	X	X	X	X	X	X	X	X
	3HAC057546-004	Graphite White	X	X	X	X	X	X	X	X
Motor, axis 4, incl. pinion	3HAC060331-001	ABB Orange	X							
	3HAC060331-002	Graphite White	X							
Motor, axis 4, incl. pinion	3HAC057547-003	ABB Orange		X	X	X	X	X	X	X
	3HAC033207-006	Graphite White		X	X	X	X	X	X	X
Motor, axis 5, excl. pinion	3HAC059034-002		X							
Motor, axis 5, excl. pinion	3HAC057288-002			X	X	X	X	X		
Motor, axis 5, incl. pinion	3HAC023745-003								X	X
Motor, axis 6, incl. pinion	3HAC057980-003	ABB Orange	X							
	3HAC057980-004	Graphite White	X							
Motor, axis 6, incl. pinion	3HAC057549-003	ABB Orange		X	X	X	X	X		
	3HAC057549-004	Graphite White		X	X	X	X	X		
Motor, axis 6, incl. pinion	3HAC033225-001	ABB Orange							X	X
Wrist, type 1	3HAC058127-003	ABB Orange	X							
	3HAC050188-001	Graphite White	X							
Wrist, type 1 - Insulated	3HAC058947-003		X							

Continues on next page

1 Rebuilding parts

Continued

Description	Spare part number	Color	180/ 2.55	235/ 2.55	210/ 2.55	205/ 2.75	185/ 2.8	130/ 3.2	200/ 2.55 (ID)	170/ 2.75 (ID)
Wrist, type 2	3HAC058127-005	ABB Orange		X	X	X	X	X		
	3HAC058127-006	Graphite White		X	X	X	X	X		
Wrist, type 2 - Insulated	3HAC058947-004	ABB Orange		X	X	X	X	X		
	3HAC058947-005	Graphite White		X	X	X	X	X		
Wrist - Process	3HAC023639-004	ABB Orange							X	X
	3HAC023639-005	Graphite White							X	X
Axis 6 complete (wrist type 1)	3HAC059051-002	ABB Orange	X							
	3HAC059051-003	Graphite White	X							
Axis 6 complete (wrist type 1 - insulated)	3HAC025151-001	ABB Orange	X							
Axis 6 complete (wrist type 2)	3HAC037210-007	ABB Orange		X	X	X	X	X		
	3HAC037210-008	Graphite White		X	X	X	X	X		
Axis 6 complete (wrist type 2 - insulated)	E3HAC058947-004	ABB Orange		X	X	X	X	X		
Gearbox, axis 1	3HAC026114-005	ABB Orange	X	X	X	X	X	X	X	X
	3HAC026114-007	Graphite White	X	X	X	X	X	X	X	X
Gearbox, axis 2	3HAC024316-005	ABB Orange	X	X	X	X	X	X	X	X
	3HAC024316-008	Graphite White	X	X	X	X	X	X	X	X
Gearbox, axis 3	3HAC021127-004	ABB Orange	X	X	X	X	X	X	X	X
	3HAC021127-010	Graphite White	X	X	X	X	X	X	X	X
Gearbox, axis 6 (wrist type 1)	3HAC037835-001		X							
Gearbox, axis 6 (wrist type 2)	3HAC037635-002	ABB Orange		X	X	X	X	X		
	3HAC037635-005	Graphite White		X	X	X	X	X		
Arm extension set, 250 mm	3HAC12311-40						X			
Arm extension set, 450 mm	3HAC12311-50							X		
Serial measurement unit, RMU101	3HAC044168-001		X	X	X	X	X	X	X	X
Serial measurement unit, DSQC633A	3HAC031851-001		X	X	X	X	X	X	X	X
Manipulator harness, axes 1-6	3HAC024385-001		X	X	X		X			
Manipulator harness, axes 1-6	3HAC024386-001					X		X		
Manipulator harness, axes 1-4	3HAC039428-001								X	
Manipulator harness, axes 1-4	3HAC039429-001									X
Manipulator harness, axis 5	3HAC14139-1		X	X	X	X	X	X		
Manipulator harness, axes 5-6	3HAC023717-001								X	X

Continues on next page

Rebuilding parts - Foundry Prime

Spare part number	Description	235/2.55	185/2.8
3HAC12311-40	Arm extension set, 250 mm		X

Rebuilding parts - Clean Room

Spare part number	Description	180/ 2.55	235/ 2.55	210/ 2.55	205/ 2.75	185/ 2.8	130/ 3.2
3HAC030868-001	Balancing device - design 1	X	X	X	X	X	X
3HAC033372-001	Balancing device - design 2	X	X	X	X	X	X
3HAC034056-004	Lower arm, design 2	X	X	X		X	
3HAC034056-005	Lower arm - long, design 2				X		X
3HAC057545-006	Motor, axis 1, incl. pinion	X	X	X	X	X	X
3HAC057542-005	Motor, axis 2, incl. pinion	X	X	X	X	X	X
3HAC057546-005	Motor, axis 3, incl. pinion	X	X	X	X	X	X
3HAC058960-002	Motor, axis 4, incl. pinion	X					
3HAC057547-005	Motor, axis 4, incl. pinion		X	X	X	X	X
3HAC059034-002	Motor, axis 5, excl. pinion	X					
3HAC057288-002	Motor, axis 5, excl. pinion		X	X	X	X	X
3HAC057980-007	Motor, axis 6, incl. pinion	X					
3HAC057549-005	Motor, axis 6, incl. pinion		X	X	X	X	X
3HAC030279-004	Wrist, type 1	X					
3HAC030281-005	Wrist, type 2		X	X	X	X	X
3HAC026114-006	Gearbox, axis 1	X	X	X	X	X	X
3HAC024316-006	Gearbox, axis 2	X	X	X	X	X	X
3HAC021127-005	Gearbox, axis 3	X	X	X	X	X	X
3HAC037835-002	Gearbox, axis 6 (wrist type 1)	X					
3HAC037635-003	Gearbox, axis 6 (wrist type 2)		X	X	X	X	X
3HAC044168-001	Serial measurement unit, RMU101	X	X	X	X	X	X
3HAC031851-001	Serial measurement unit, DSQC633A	X	X	X	X	X	X
3HAC029840-003	Manipulator harness, axes 1-6 / axis 1-3 cable	X	X	X	X	X	X

This page is intentionally left blank

2 Spare parts - balancing device

Balancing device - design 1

	Spare part number	Protection type	Color	180/ 2.55	235/ 2.55	210/ 2.55	205/ 2.75	185/ 2.8	130/ 3.2	200/ 2.55 (ID)	170/ 2.75 (ID)
G	3HAC028470-001	Standard Foundry Plus	ABB Orange	X	X	X	X	X	X	X	X
G	3HAC033363-001	Foundry Prime	Grey		X			X			
G	3HAC030868-001	Clean Room	White	X	X	X	X	X	X		

Maintenance sets, balancing device- design 1

	Part number	Description	Protection type	Color	180/ 255	235/ 255	210/ 255	205/ 275	185/ 2.8	130/ 3.2	200/ 255 (ID)	170/ 275 (ID)
G.1	3HAC029288-001	Maintenance set, Cradle			X	X	X	X	X	X	X	X
G.2	3HAC029054-001	Maintenance set, Shaft			X	X	X	X	X	X	X	X
G.3	3HAC17188-1	Gasket, End cover			X	X	X	X	X	X	X	X
G.4 ⁱ	3HAC026582-006	Cradle	Standard Foundry Plus	ABB Orange	X	X	X	X	X	X	X	X
	3HAC026582-010	Cradle	Standard Foundry Plus	Graphite White	X	X	X	X	X	X	X	X
	3HAC026582-005	Cradle	Foundry Prime	Grey	X	X	X	X	X	X	X	X
	3HAC026582-007	Cradle	Clean Room	White	X	X	X	X	X	X	X	X
G.5	3HAC4836-21	Protection plug			X	X	X	X	X	X	X	X

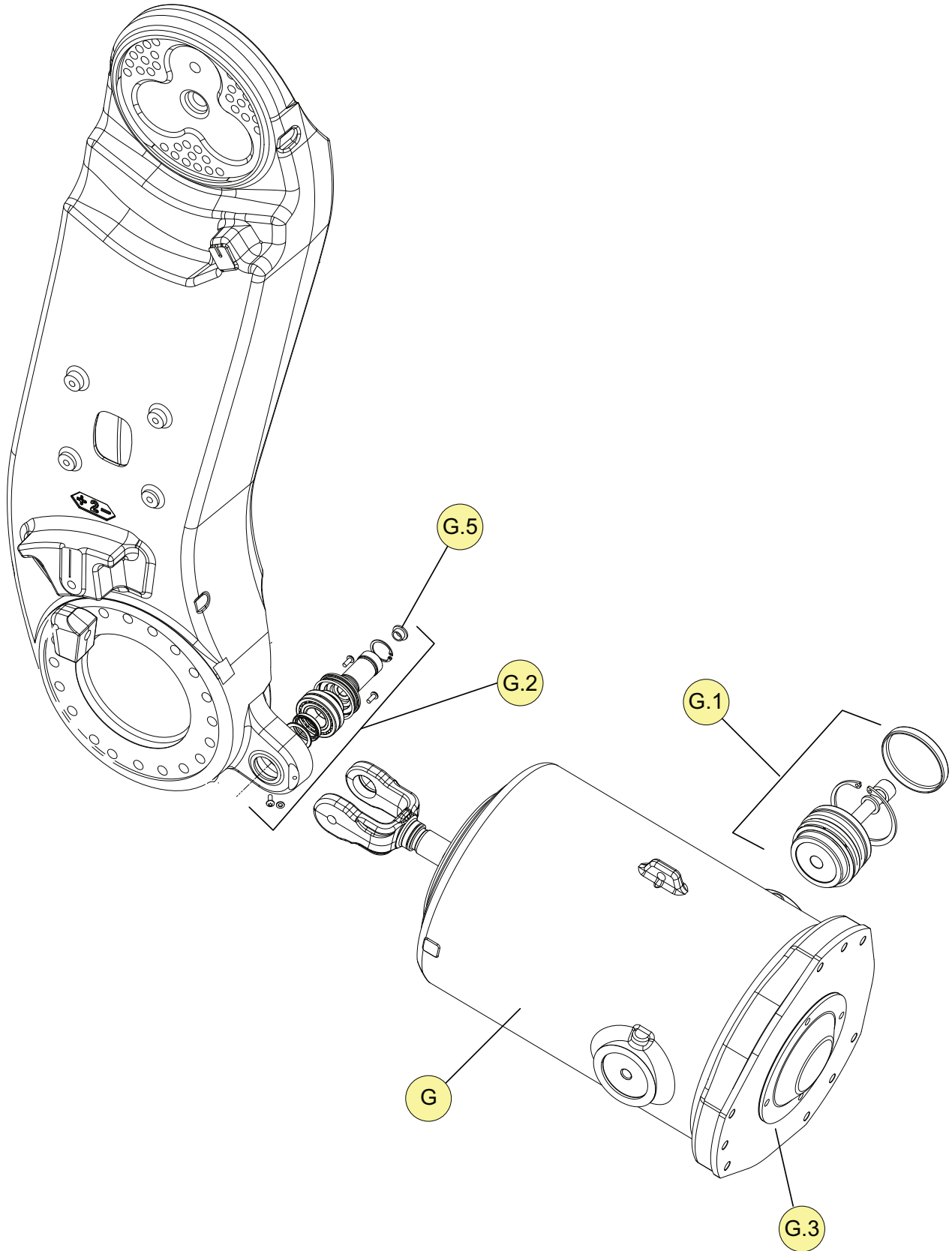
ⁱ The cradle is the same for both design 1 and design 2 of the balancing device. Location of the cradle is shown in figure *Illustration - design 2 on page 20*.

Continues on next page

2 Spare parts - balancing device

Continued

Illustration - design 1



xx0700000341

Continues on next page

Balancing device - design 2

Pos	Spare part number	Protection type	Color	180/ 2.55	235/ 2.55	210/ 2.55	205/ 2.75	185/ 2.8	130/ 3.2	200/ 2.55 (ID)	170/ 2.75 (ID)
G	3HAC032124-003	Standard Foundry Plus	ABB Orange	X	X	X	X	X	X	X	X
	3HAC032124-005	Standard Foundry Plus	Graphite White	X	X	X	X	X	X	X	X
G	3HAC034865-003	Foundry Prime	Grey		X			X			
G	3HAC033372-001	Clean Room	White	X	X	X	X	X	X		

Maintenance sets, balancing device - design 2

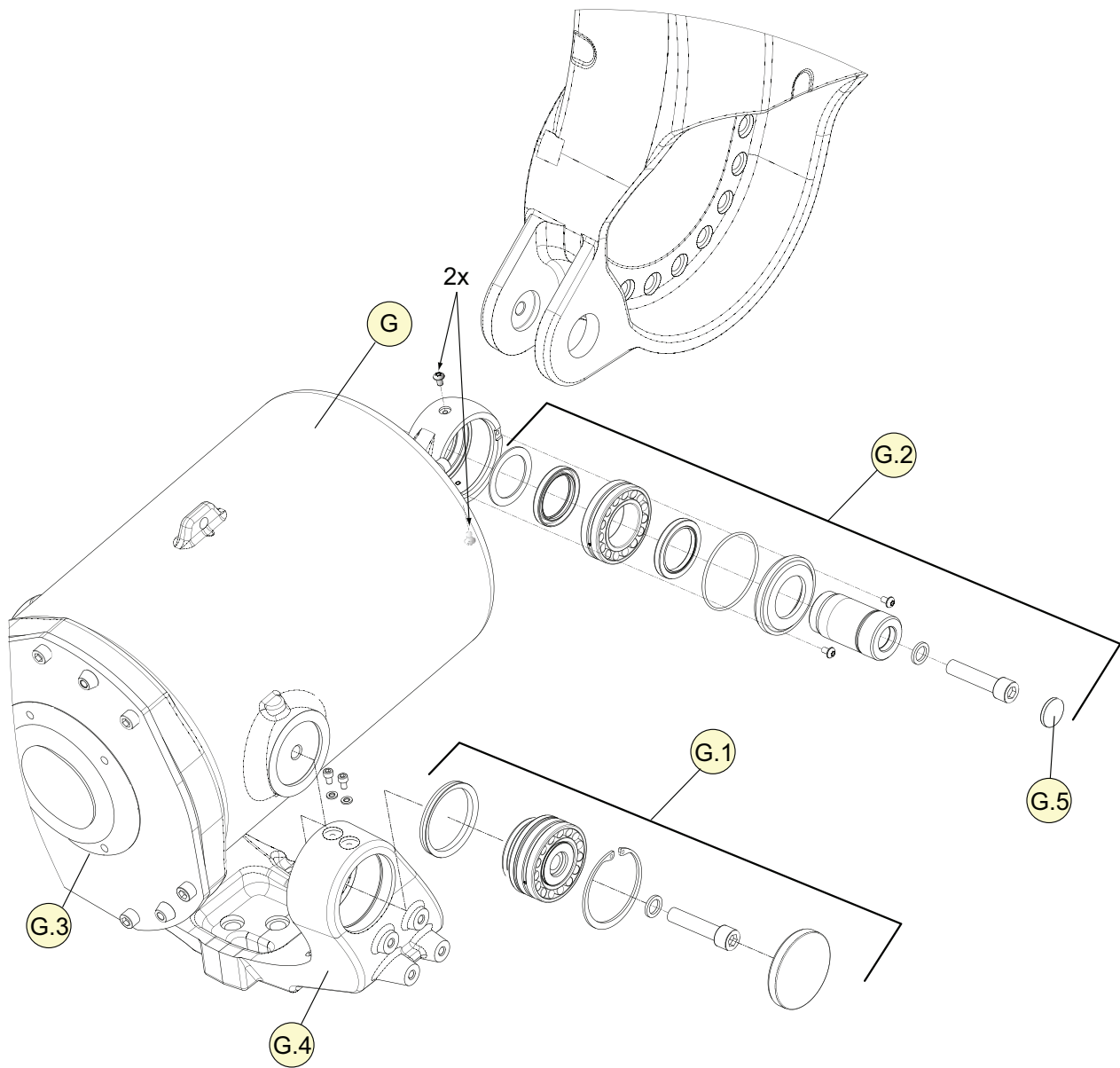
	Part number	Description	Protection type	Color	180/ 255	235/ 255	210/ 255	205/ 275	185/ 2.8	130/ 3.2	200/ 255 (ID)	170/ 275 (ID)
G.1	3HAC033413-001	Maintenance set, Cradle			X	X	X	X	X	X	X	X
G.2	3HAC033411-001	Maintenance set, Shaft			X	X	X	X	X	X	X	X
G.3	3HAC17188-1	Gasket, End cover			X	X	X	X	X	X	X	X
G.4	3HAC026582-006	Cradle	Standard Foundry Plus	ABB Orange	X	X	X	X	X	X	X	X
	3HAC026582-010	Cradle	Standard Foundry Plus	Graphite White	X	X	X	X	X	X	X	X
	3HAC026582-005	Cradle	Foundry Prime	Grey	X	X	X	X	X	X	X	X
	3HAC026582-007	Cradle	Clean Room	White	X	X	X	X	X	X	X	X
G.5	3HAA2166-12	VK cover			X	X	X	X	X	X	X	X

Continues on next page

2 Spare parts - balancing device

Continued

Illustration - design 2



xx0800000253

3 Spare parts - lower arm

Spare part list - design 1

	Spare part number	Protection typ	180/ 2.55	235/ 2.55	210/ 2.55	205/ 2.75	185/ 2.8	130/ 3.2	200/ 2.55 (ID)	170/ 2.75 (ID)
J.1	3HAC053695-001	Standard Foundry Plus	X	X	X		X		X	
J.1	3HAC053697-001	Foundry Prime		X			X			
J.1	3HAC053696-001	Clean Room	X	X	X		X			
J.1	3HAC033733-003 (long lower arm)	Standard Foundry Plus				X		X		X
J.1	3HAC033733-004 (long lower arm)	Clean Room				X		X		

Spare part list - design 2

	Spare part number	Protection type	Color	180/ 2.55	235/ 2.55	210/ 2.55	205/ 2.75	185/ 2.8	130/ 3.2	200/ 2.55 (ID)	170/ 2.75 (ID)
J.2	3HAC034056-001	Standard Foundry Plus	ABB Orange	X	X	X		X		X	
J.2	3HAC034056-006	Standard Foundry Plus	Graphite White	X	X	X		X		X	
J.2	3HAC033733-006	Foundry Prime	Grey		X			X			
J.2	3HAC034056-004	Clean Room	White	X	X	X		X			
J.2	3HAC034056-002 (long lower arm)	Standard Foundry Plus					X		X		X
J.2	3HAC034056-005 (long lower arm)	Clean Room	White				X		X		

Lower arm - other parts

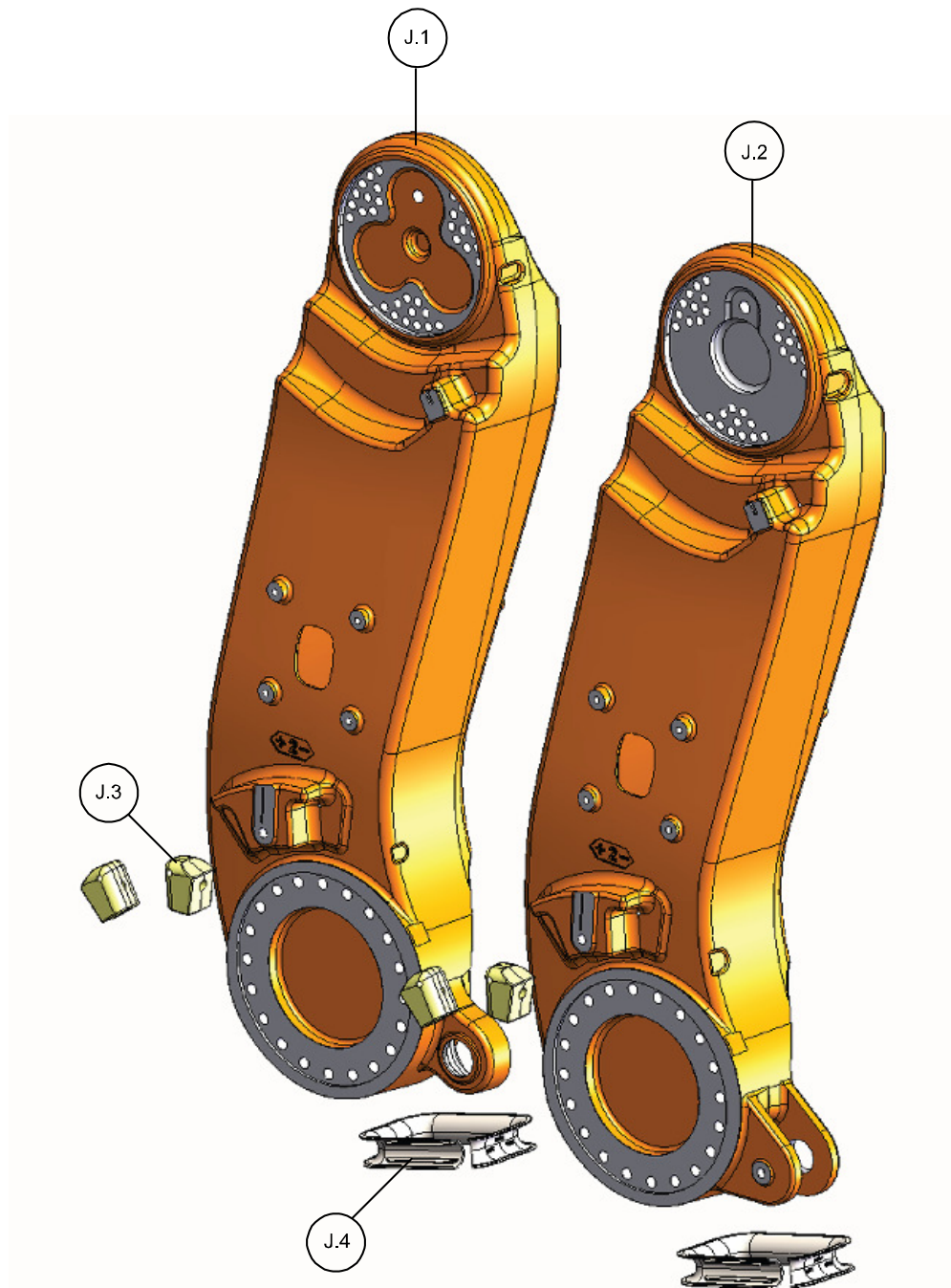
	Part number	Description	180/ 2.55	235/ 2.55	210/ 2.55	205/ 2.75	185/ 2.8	130/ 3.2	200/ 2.55 (ID)	170/ 2.75 (ID)
J.3	3HAC12991-1	Damper, axis 2	X	X	X	X	X	X	X	X
J.4	3HAC14300-1	Cable protection	X	X	X	X	X	X	X	X

Continues on next page

3 Spare parts - lower arm

Continued

Illustration - spare part lower arm design 1 (J1) and design 2 (J2)



xx0800000429

4 Spare parts - motors

Motors axis 1 (including pinion)

	Spare part number	Protection type	Color	180/2.55	235/2.55	210/2.55	205/2.75	185/2.8	130/3.2	200/2.55 (ID)	170/2.75 (ID)
A	3HAC057545-005	Standard Foundry Plus	ABB Orange	X	X	X	X	X	X	X	X
	3HAC057545-004	Standard Foundry Plus	Graphite White	X	X	X	X	X	X	X	X
A	3HAC058880-002	Foundry Prime	Grey		X			X			
A	3HAC057545-006	Clean Room	White	X	X	X	X	X	X		

Motors axis 2 (including pinion)

	Spare part number	Protection type	Color	180/2.55	235/2.55	210/2.55	205/2.75	185/2.8	130/3.2	200/2.55 (ID)	170/2.75 (ID)
B	3HAC057542-003	Standard Foundry Plus	ABB Orange	X	X	X	X	X	X	X	X
	3HAC057542-004	Standard Foundry Plus	Graphite White	X	X	X	X	X	X	X	X
B	3HAC058879-002	Foundry Prime	Grey		X			X			
B	3HAC057542-005	Clean Room	White	X	X	X	X	X	X	X	

	Part number	Description
B	3HAC026770-001	Pinion RV550E

Motors axis 3 (including pinion)

Pos	Spare part number	Protection type	Color	180/2.55	235/2.55	210/2.55	205/2.75	185/2.8	130/3.2	200/2.55 (ID)	170/2.75 (ID)
C	3HAC057546-003	Standard Foundry Plus	ABB Orange	X	X	X	X	X	X	X	X
	3HAC057546-004	Standard Foundry Plus	Graphite White	X	X	X	X	X	X	X	X
C	3HAC058883-002	Foundry Prime	Grey		X			X			
C	3HAC057546-005	Clean Room	White	X	X	X	X	X	X		

Pos	Part no.	Description
C	3HAC10122-15	Pinion RV410F-270,176

Continues on next page

4 Spare parts - motors

Continued

Motors axis 4 (including pinion)

Pos	Spare part number	Protection type	Color	180/ 2.55	235/ 2.55	210/ 2.55	205/ 2.75	185/ 2.8	130/ 3.2	200/ 2.55 (ID)	170/ 2.75 (ID)
D	3HAC060331-001	Standard Foundry Plus	ABB Orange	X							
D	3HAC033209-003	Standard Foundry Plus	Graphite White	X							
D	3HAC058960-002	Clean Room	White	X							
D	3HAC057547-003	Standard Foundry Plus	ABB Orange		X	X	X	X	X	X	X
D	3HAC057547-004	Standard Foundry Plus	Graphite White		X	X	X	X	X	X	X
D	3HAC058885-002	Foundry Prime	Grey		X			X			
D	3HAC057547-005	Clean Room	White		X	X	X	X	X	X	X

Motors axis 5 IRB 6640 (excluding pinion)

Pos	Spare part number	Protection type	180/ 2.55	235/ 2.55	210/ 2.55	205/ 2.75	185/ 2.8	130/ 3.2	200/ 2.55 (ID)	170/ 2.75 (ID)
E	3HAC059034-002	Standard Foundry Plus Clean Room	X							
E	3HAC057288-002	Standard Foundry Plus Clean Room		X	X	X	X	X		
E	3HAC058886-002	Foundry Prime		X			X			

Motors axis 5 IRB 6640ID (including pinion)

Pos	Spare part number	Protection type	180/ 2.55	235/ 2.55	210/ 2.55	205/ 2.75	185/ 2.8	130/ 3.2	200/ 2.55 (ID)	170/ 2.75 (ID)
E	3HAC023745-003	Standard Foundry Plus							X	X

Motors axis 6 (including pinion)

Pos	Spare part number	Protection type	Color	180/ 2.55	235/ 2.55	210/ 2.55	205/ 2.75	185/ 2.8	130/ 3.2	200/ 2.55 (ID)	170/ 2.75 (ID)
F	3HAC057980-003	Standard Foundry Plus	ABB Orange	X							
	3HAC057980-004	Standard Foundry Plus	Graphite White	X							
F	3HAC057980-007	Clean Room	White	X							

Continues on next page

Pos	Spare part number	Protection type	Color	180/	235/	210/	205/	185/	130/	200/	170/
				2.55	2.55	2.55	2.75	2.8	3.2	2.55 (ID)	2.75 (ID)
F	3HAC057549-003	Standard Foundry Plus	ABB Orange		X	X	X	X	X		
	3HAC057549-004	Standard Foundry Plus	Graphite White		X	X	X	X	X		
F	3HAC058887-002	Foundry Prime	Grey		X			X			
F	3HAC057549-005	Clean Room	White		X	X	X	X	X		
F	3HAC033225-001	Standard Foundry Plus	ABB Orange							X	X
F	3HAC10122-24 Pinion RV40E			X							
F	3HAC11173-3 Pinion RV70F				X	X	X	X	X		

Motors - other parts

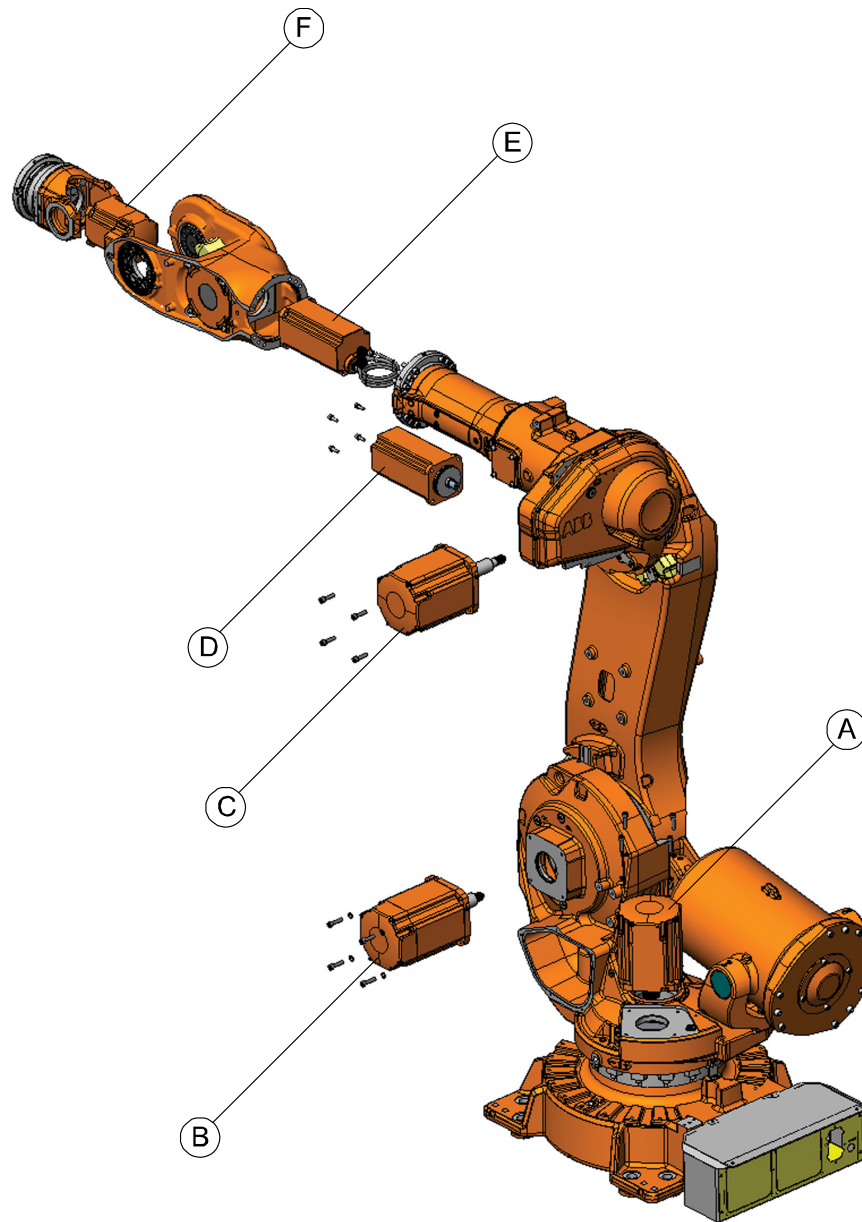
Pos	Part number	Description	Color	180/	235/	210/	205/	185/	130/	200/	170/
				2.55	2.55	2.55	2.75	2.8	3.2	2.55 (ID)	2.75 (ID)
-	3HAC026511-001	Elbow fittings		X	X	X	X	X	X		
-	21522012-430	O-ring (89.5x3)		X	X	X	X	X	X		
-	3HAB3772-22	O-ring (67.5x3.0)								X	X
-	3HAC3438-1	Motorplate Motor, axes 1-5		X	X	X	X	X	X		
-	3HAC048560-001	Gasket Motor axis 6		X	X	X	X	X	X		
-	3HAC033489-001	Gasket, cover Motor axis 6		X	X	X	X	X	X		
-	3HAC7941-28	Set of shims Motor axis 5									
-	3HAC033489-001	Gasket for axis-6 motor cover Clean Room		X	X	X	X	X	X		
-	3HAC026607-003	Axis-6 motor cover with gasket	ABB Orange	X	X	X	X	X	X		
	3HAC026607-006	Axis-6 motor cover with gasket	Graphite White	X	X	X	X	X	X		

Continues on next page

4 Spare parts - motors

Continued

Illustration



xx070000383

5 Spare parts - wrist unit

Spare parts - wrist, type 1

Pos	Spare part number	Protection type	Color	180/ 2.55	235/ 2.55	210/ 2.55	205/ 2.75	185/ 2.8	130/ 3.2	200/ 2.55 (ID)	170/ 2.75 (ID)
H	3HAC058127-003	Standard Foundry Plus	ABB Orange	X							
H	3HAC058127-004	Standard Foundry Plus	Graphite White	X							
H	3HAC058947-003 Insulated	Standard Foundry Plus	ABB Orange	X							
H	3HAC030279-004	Clean Room	White	X							

Spare parts - wrist, type 2

Pos	Spare part number	Protection type	Color	180/ 2.55	235/ 2.55	210/ 2.55	205/ 2.75	185/ 2.8	130/ 3.2	200/ 2.55 (ID)	170 /2.75 (ID)
H	3HAC058127-005	Standard Foundry Plus	ABB Orange		X	X	X	X	X		
H	3HAC058127-006	Standard Foundry Plus	Graphite White		X	X	X	X	X		
H	3HAC058947-004 Insulated	Standard Foundry Plus	ABB Orange		X	X	X	X	X		
H	3HAC034863-005	Foundry Prime	Grey		X			X			
H	3HAC030281-005	Clean Room	White		X	X	X	X	X		

Spare part - wrist, process

Pos	Spare part number	Protection type	Color	180/ 2.55	235/ 2.55	210/ 2.55	205/ 2.75	185/ 2.8	130/ 3.2	200/ 2.55 (ID)	170/ 2.75 (ID)
	3HAC024793-001	Standard Foundry Plus	ABB Orange							X	X

Continues on next page

5 Spare parts - wrist unit

Continued

Spare part - other parts

Pos	Spare part number	Protection type	Color	180/ 2.55	235/ 2.55	210/ 2.55	205/ 2.75	185/ 2.8	130/ 3.2	200/ 2.55 (ID)	170/ 2.75 (ID)
H.4	3HAC8081-10 Gear cover (gasket included)	Standard Foundry Plus	ABB Orange	X	X	X	X	X	X		
	3HAC049912-002 Gear cover (gasket included)	Standard Foundry Plus	Graphite White	X	X	X	X	X	X		
	3HAC8081-11 Gear cover (gasket included)	Clean Room	White	X	X	X	X	X	X		
	3HAC037426-003 Gear cover (gasket included)	Foundry Prime	Grey		X			X			
	3HAC024810-001 Gear cover (gasket included)		ABB Orange							X	X
	3HAC024810-002 Gear cover (gasket included)		Graphite White							X	X
H.5	3HAC022172-003 Wrist cover	Standard Foundry Plus	ABB Orange	X	X	X	X	X	X		
	3HAB3409-25 Screw (wrist cover)			X	X	X	X	X	X		
	3HAC062379-001 Washer (wrist cover)			X	X	X	X	X	X		
	3HAC022172-006 Cable cover	Standard Foundry Plus	Graphite White	X	X	X	X	X	X		
	3HAC022172-004 Cable cover	Clean Room	White	X	X	X	X	X	X		
	3HAC034932-002 Cable cover	Foundry Prime	Grey		X			X			
H.6	3HAC035975-001 Support shaft including bearing	Standard Foundry Plus	ABB Orange	X	X	X	X	X	X	X	X
	3HAC026318-001 Support shaft including bearing	Clean Room	White	X	X	X	X	X	X	X	X
H.7	- Damper axis 5										

Continues on next page

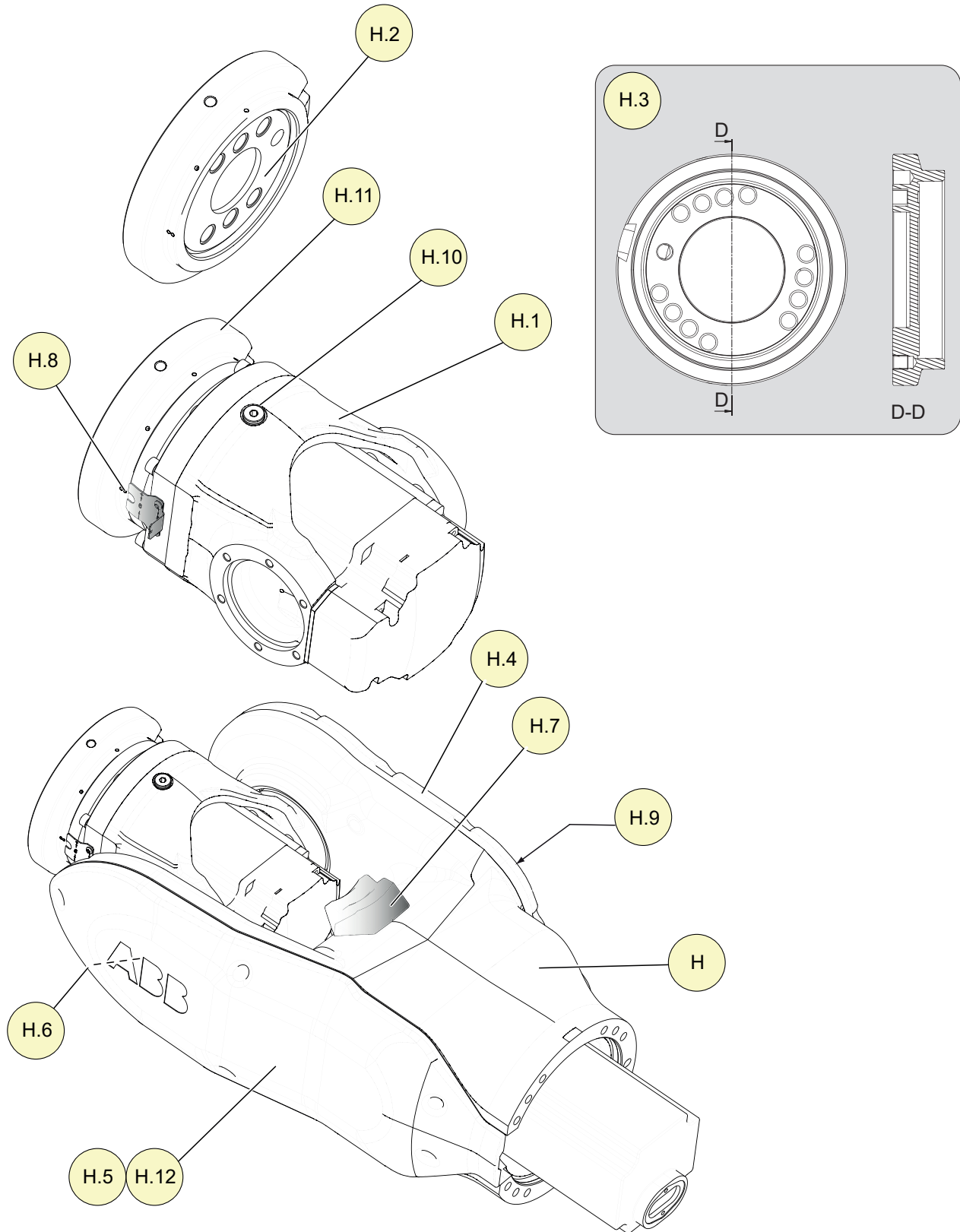
Pos	Spare part number	Protection type	Color	180/ 2.55	235/ 2.55	210/ 2.55	205/ 2.75	185/ 2.8	130/ 3.2	200/ 2.55 (ID)	170/ 2.75 (ID)
H.8	- Sync. plate (Wrist, type 1)			X							
	- Sync. plate (Wrist, type 2)				X	X	X	X	X		
H.9	- Magnetic plug G1/2"			X	X	X	X	X	X	X	X
H.10	- Magnetic plug G1/4"			X	X	X	X	X	X		
	- Sealing for magnetic plug G1/4"										
H.11	- Protection cover (Cal. axis 6)			X	X	X	X	X	X	X	X
H.12	3HAC043225-001 Gasket for wrist house cover	Foundry Plus		X	X	X	X	X	X		
	3HAC050691-001 Gasket for wrist house cover	Foundry Prime			X			X			

Continues on next page

5 Spare parts - wrist unit

Continued

Illustration wrist



xx0800000397

6 Spare parts - axis 6 complete

Axis 6 complete, wrist type 1

Pos	Spare part number	Protection type	Color	180/ 2.55	235/ 2.55	210/ 2.55	205/ 2.75	185/ 2.8	130/ 3.2	200/ 2.55 (ID)	170/ 2.75 (ID)
H	3HAC059051-002	Standard Foundry Plus	ABB Orange	X							
	3HAC059051-003	Standard Foundry Plus	Graphite White								
	3HAC025151-001 Insulated	Standard Foundry Plus	ABB Orange	X							
	3HAC030279-004 (complete wrist)	Clean Room	White	X							

Axis 6 complete, wrist type 2

Pos	Spare part number	Protection type	Color	180/ 2.55	235/ 2.55	210/ 2.55	205/ 2.75	185/ 2.8	130/ 3.2	200/ 2.55 (ID)	170/ 2.75 (ID)
H.1	3HAC037210-007	Standard Foundry Plus	ABB Orange		X	X	X	X	X		
	3HAC037210-008	Standard Foundry Plus	Graphite White		X	X	X	X	X		
	3HAC025151-001 Insulated	Standard Foundry Plus	ABB Orange		X	X	X	X	X		
	3HAC034863-005 (complete wrist)	Foundry Prime	Grey		X			X			
	3HAC030281-005 (complete wrist)	Clean Room	White		X	X	X	X	X		

This page is intentionally left blank

7 Spare parts - turning disk

Turning disk, type 1

	Spare part number	Protection type	180/ 2.55	235/ 2.55	210/ 2.55	205/ 2.75	185/ 2.8	130/ 3.2	200/ 2.55 (ID)	170/ 2.75 (ID)
H.2	3HAC030264-001	Foundry Plus Clean Room	X							
	3HAC030223-001	Standard Foundry Prime	X							
	3HAC035285-004 Process wrist	Standard Foundry Plus							X	X
-	21212518-577 M14x25, 12.9 (6 pcs)									
-	21520431-20 O-ring 15.5x1.5 (6 pcs)									
-	3HAB3772-65 O-ring 131x2									

Turning disk, type 2

	Spare part number	Protection type	180/ 2.55	235/ 2.55	210/ 2.55	205/ 2.75	185/ 2.8	130/ 3.2	200/ 2.55 (ID)	170/ 2.75 (ID)
H.3	3HAC030224-001	Standard Foundry Plus		X	X	X	X	X		
	3HAC037848-001	Foundry Prime Clean Room		X	X	X	X	X		
	3HAC035285-005 Process wrist	Standard Foundry Plus							X	X
	3HAB3409-65 M12x30, 12.9 (12 pcs)									
	3HAB3772-61 O-ring 13.1x1.6 (12 pcs)									
	3HAB3772-64 O-ring 150x2									

This page is intentionally left blank

8 Spare parts - gearboxes

Gearboxes axis 1

Pos	Spare part number	Protection type	Color	180/	235/	210/	205/	185/	130/	200/	170/
				2.55	2.55	2.55	2.75	2.8	3.2	2.55 (ID)	2.75 (ID)
K.1	3HAC026114-005 RV320C-191.35	Standard Foundry Plus	ABB Orange	X	X	X	X	X	X	X	X
	3HAC026114-007 RV320C-191.35	Standard Foundry Plus	Graphite White	X	X	X	X	X	X	X	X
K.1	3HAC026114-004 RV320C-191.35	Foundry Prime	Grey		X			X			
K.1	3HAC026114-006 RV320C-191.35	Clean Room	White	X	X	X	X	X	X		

Gearbox axis 1 - other parts

Pos	Part number	Description	Note
	3HAC024286-001	Cable guide	
	3HAC11581-4	Sealing, RV320C pipe	
	3HAC026892-001	Protection pipe	
	3HAB3772-97	O-ring (23x3.6)	3 pcs
	3HAB3772-93	O-ring (380.6x3.53)	Included in RV320C
	3HAB3409-86	M16x60, Gleitmo 12.9	12 pcs
	3HAA1001-186	Washer, (17x25x3)	12 pcs
	3HAB3409-74	M12x80, Gleitmo 12.9	16 pcs
	3HAC026169-001	Serrated washer, (12.6x18x1.8)	16 pcs

Gearboxes axis 2

Pos	Spare part number	Protection type	Color	180/	235/	210/	205/	185/	130/	200/	170/
				2.55	2.55	2.55	2.75	2.8	3.2	2.55 (ID)	2.75 (ID)
K.2	3HAC024316-005 RV550E-242.73	Standard Foundry Plus	ABB Orange	X	X	X	X	X	X	X	X
	3HAC024316-008 RV550E-242.73	Standard Foundry Plus	Graphite White	X	X	X	X	X	X	X	X
K.2	3HAC024316-004 RV550E-242.73	Foundry Prime	Grey		X			X			
K.2	3HAC024316-006 RV550E-242.73	Clean Room	White	X	X	X	X	X	X		

Continues on next page

8 Spare parts - gearboxes

Continued

Gearbox axis 2- other parts

Pos	Part number	Description	Note
	3HAB3772-91	O-ring (339.3x5.7)	Included in RV550E
	3HAB3409-84	M16x50, Gleitmo 12.9	20 pcs
	3HAA1001-186	Washer, 17x25x3	20 pcs
	3HAB3409-71	M12x60, Gleitmo 12.9	32 pcs
	3HAA1001-134	Washer, 13x19x1.5	32 pcs

Gearboxes axis 3

Pos	Spare part number	Protection type	Color	180/	235/	210/	205/	185/	130/	200/	170/
				2.55	2.55	2.55	2.75	2.8	3.2	2.55 (ID)	2.75 (ID)
K.3	3HAC021127-004 RV410F-270.176	Standard Foundry Plus	ABB Orange	X	X	X	X	X	X	X	X
	3HAC021127-010 RV410F-270.176	Standard Foundry Plus	Graphite White	X	X	X	X	X	X	X	X
K.3	3HAC021127-003 RV410F-270.176	Foundry Prime	Grey		X			X			
K.3	3HAC021127-005 RV410F-270.176	Clean Room	White	X	X	X	X	X	X		

Gearbox axis 3 - Other parts

Pos	Part number	Protection type	Color	Description	Note
	3HAC17212-1			Sealing axis 2/3	
	3HAB3772-68			O-ring (276x3.53)	Included in RV410F
	3HAB3409-71			M12x60 Gleitmo 12.9	24 pcs
	3HAA1001-134			Washer, 13x19x1.5	24 pcs
	3HAB7700-69			M12x50 Gleitmo 12.9	33 pcs
	3HAC038648-002	Standard Foundry Plus	ABB Orange	Washer axis 3	3 pcs
	3HAC038648-003	Standard Foundry Plus	Graphite White	Washer axis 3	3 pcs

Gearboxes axis 6 - Wrist, type 1

Pos	Spare part number	Protection type	180/	235/	210/	205/	185/	130/	200/	170/
			2.55	2.55	2.55	2.75	2.8	3.2	2.55 (ID)	2.75 (ID)
K.6	3HAC037835-001 RV40E-81	Standard Foundry Plus	X							
K.6	3HAC037835-002 RV40E-81	Clean Room	X							

Continues on next page

Gearboxes axis 6 - Wrist, type 2

Pos	Spare part number	Protection type	Color	180/ 2.55	235/ 2.55	210/ 2.55	205/ 2.75	185/ 2.8	130/ 3.2	200/ 2.55 (ID)	170/ 2.75 (ID)
K.6	3HAC037635-002 RV70F-125.8	Standard Foundry Plus	ABB Orange		X	X	X	X	X		
	3HAC037635-005 RV70F-125.8	Standard Foundry Plus	Graphite White		X	X	X	X	X		
K.6	3HAC037635-001 RV70F-125.8	Foundry Prime	Grey		X			X			
K.6	3HAC037635-003 RV70F-125.8	Clean Room	White		X	X	X	X	X		

Gearbox axis 6 - Other parts

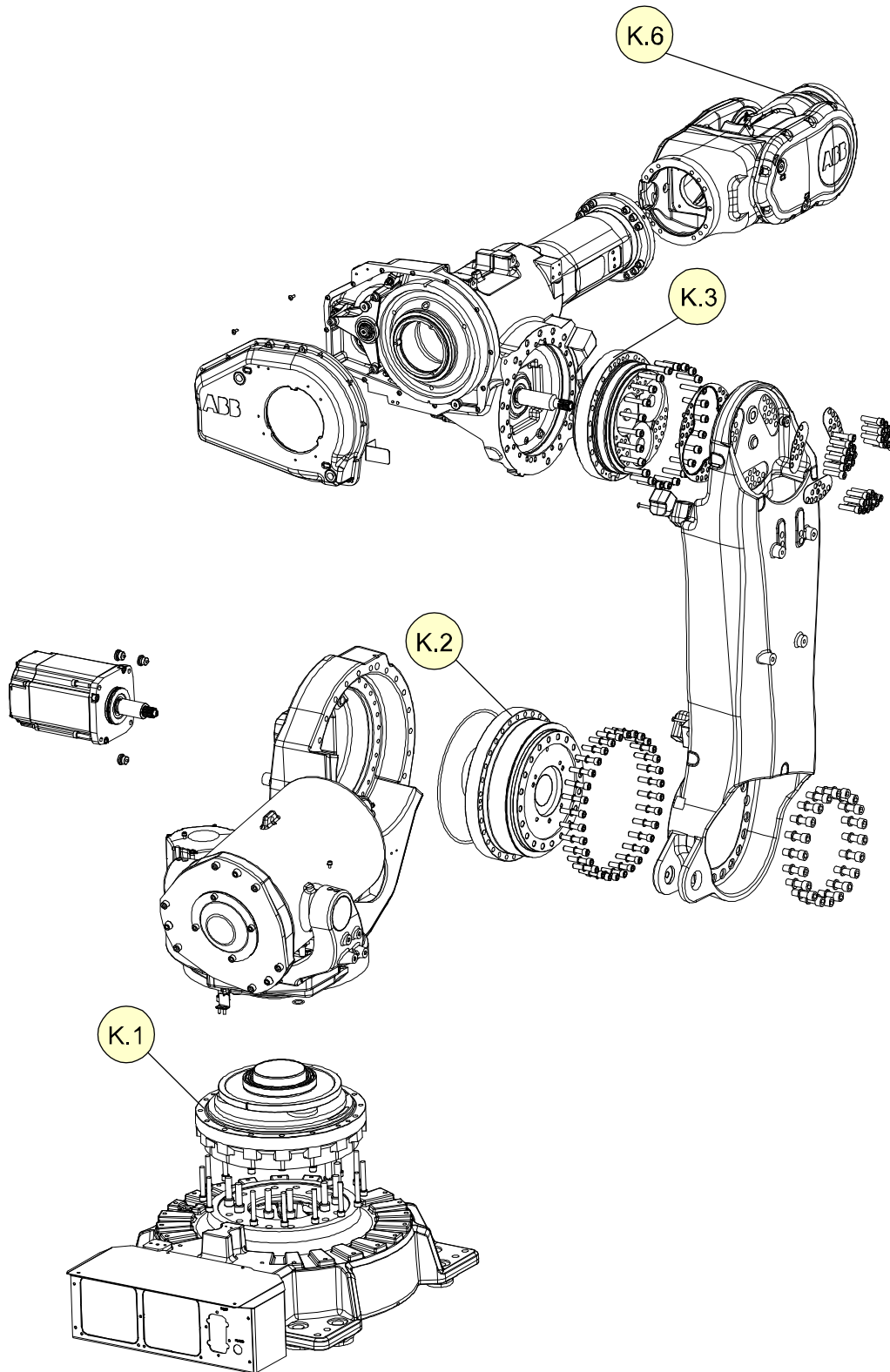
Pos	Part number	Description	180/ 2.55	235/ 2.55	210/ 2.55	205/ 2.75	185/ 2.8	130/ 3.2	200/ 2.55 (ID)	170/ 2.75 (ID)
-	3HAB3772-58	O-ring, 152.0x3.53 Included in RV40E Wrist type 1	X							
-	3HAB7700-55	M8x40, Gleitmo 12.9 Wrist type 1 (8 pcs)								
-	3HAA1001-172	Washer, 8.4x13x1.5 Wrist type 1 (8 pcs)								
-	3HAB3772-65	O-ring, 131.0x2.0 Wrist type 1	X							
-	21520431-20	O-ring, 15.5x1.5 Wrist type 1 (6 pcs)	X							
-	3HAB3772-57	O-ring, 164.7x3.53 Included in RV70F Wrist type 2		X	X	X	X	X		
-	3HAB7700-55	M8x40, Gleitmo 12.9 Wrist type 2 (18 pcs)								
-	3HAA1001-172	Washer, 8.4x13x1.5 Wrist type 2 (18 pcs)								
-	3HAB3772-64	O-ring, 150.0x2.0 Wrist type 2		X	X	X	X	X		
-	3HAB3772-61	O-ring, 13.1x1.6 Wrist type 2 (12 pcs)		X	X	X	X	X		

Continues on next page

8 Spare parts - gearboxes

Continued


Illustration gearboxes



xx0800000442

9 Spare parts - Arm house

Parts list

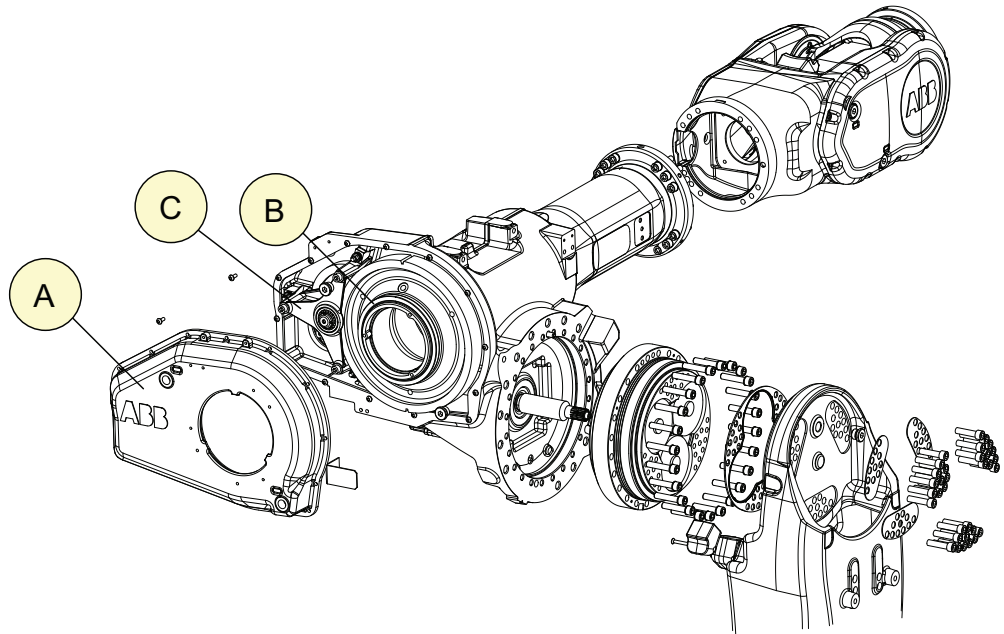
Pos	Spare part no.	Description	Protection type	Color	Note
A	3HAC036148-001	Axis-4 cover	Standard Foundry Plus	ABB Orange	Includes sealing 3HAA1001-628. Fits robots that <u>has a sleeve</u> installed on the tube shaft. The figure Sleeve on tube shaft on page 40 shows where the sleeve is located. If the robot is manufactured prior to November 2009, it is recommended that a sleeve should be installed, according to the repair kit for axis 4 (see further down in the table), if not already installed. The recommendation is valid for all protection types.
	3HAC036148-002	Axis-4 cover	Foundry Prime	Grey	
	3HAC036148-003	Axis-4 cover	Clean Room	White	
A	3HAC049789-001	Axis-4 cover	Standard	ABB Orange	Includes sealing 3HAA1001-628. Fits robots that <u>has not a sleeve</u> installed on the tube shaft. Robots with protection type Standard, manufactured after November 2009, do not need the sleeve. The figure Sleeve on tube shaft on page 40 shows where the sleeve is located.
	3HAC049789-002	Axis-4 cover	Standard	Graphite White	
-	3HAC12149-2	Gasket, axis-4 cover			
B	3HAA1001-628	Sealing			
-	3HAC036161-001	Repair kit for axis 4 For robots with protection Standard and Foundry Plus.			It is recommended that a sleeve should be installed on the tube shaft on robots (all protection types) manufactured prior to November 2009. Foundry Prime and Clean Room robots manufactured after November 2009 are delivered with the sleeve installed. The repair kit contains the sleeve, the axis-4 cover and instructions for how to fit the sleeve to the tube shaft.
-	3HAC036161-002	Repair kit for axis 4 For robots with protection Foundry Prime.			
-	3HAC036161-003	Repair kit for axis 4 For robots with protection Clean Room.			
C	3HAC037677-001	Axis-4 wheel unit			 Note Fitting the sleeve requires an installation tool, 3HAC035563-001, not included in the repair kit.

Continues on next page

9 Spare parts - Arm house

Continued

Illustration armhouse



xx120000203

Sleeve on tube shaft

The figure shows where the sleeve is visible on the upper arm house.



xx120000500

10 Spare parts - axis 3-4

Parts list

Pos	Spare part number	Description	Color	180/ 2.55	235/ 2.55	210/ 2.55	205/ 2.75	185/ 2.8	130/ 3.2	200/ 2.55 (ID)	170/ 2.75 (ID)
-	3HAC050459-005	Standard	ABB Orange	X							
	3HAC050459-006	Standard	Graphite White	X							
-	3HAC050459-010	Standard	ABB Orange		X	X	X	X	X	X	X
	3HAC050459-011	Standard	Graphite White		X	X	X	X	X	X	X
-	3HAC050459-007	Foundry Prime	Grey		X			X			
-	3HAC050459-008	Clean Room	White	X							
-	3HAC050459-009	Clean Room	White		X	X	X	X	X	X	X

This page is intentionally left blank

11 Spare parts - upper arm

Parts list

Pos	Description	Spare part number	Protection type	180/	235/	210/	205/	185/	130/	200/	170/
				2.55	2.55	2.55	2.75	2.8	3.2	2.55 (ID)	2.75 (ID)
-	Gasket for cable cover on upper arm tube	3HAC043224-001	Foundry Plus	X	X	X	X	X	X	X	X
-	Gasket for small cover on upper arm tube	3HAC043303-001	Foundry Plus	X	X	X	X	X	X	X	X
-	Gasket for cable cover on upper arm tube	3HAC050692-001	Foundry Prime		X			X			
-	Gasket for small cover on upper arm tube	3HAC050695-001	Foundry Prime		X			X			

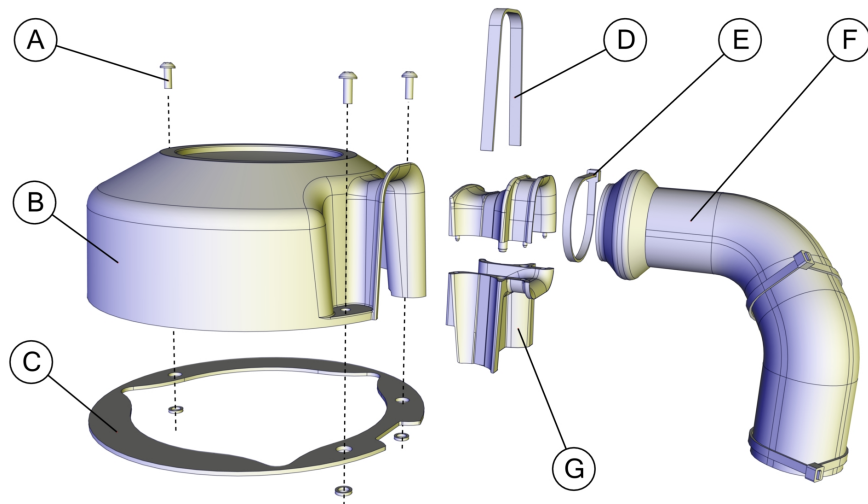
Continues on next page

11 Spare parts - upper arm

Continued

Sealing set foundry plus, upper arm axis 4

Pos.	Equipment	Art. no.	Note
	Sealing set foundry plus, upper arm axis 4	3HAC053079-001	
	<i>The set contains:</i>		
A	Torx pan head screw M6x16 (3 pcs)	-	
B	Cover	-	
C	Gasket	-	
D	Weatherstrip	-	
E	Metal strap (3 pcs)	-	
F	Cable protection (leather)	-	
G	Washer (3 pcs)	-	
H	Cover insert	-	
	Locking liquid	-	Loctite 243
	Assembly instructions, Foundry sealings	-	

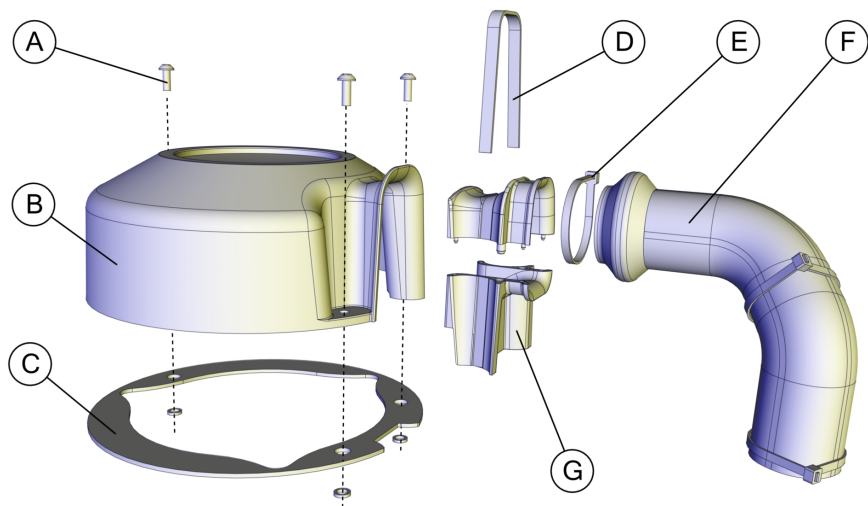


xx1500001711

Continues on next page

Sealing set foundry prime, upper arm axis 4

Pos.	Equipment	Art. no.	Note
	Sealing set foundry plus, upper arm axis 4	3HAC056426-001	
	<i>The set contains:</i>		
A	Torx pan head screw M6x16 (3 pcs)	-	
B	Cover	-	
C	Gasket	-	
D	Weatherstrip	-	
E	Cable strap (3 pcs)	-	
F	Cable protection (rubber)	- </td <td></td>	
G	Washer (3 pcs)	-	
H	Cover insert	-	
	Locking liquid	-	Loctite 243
	Assembly instructions, Foundry sealings	-	



xx1500001711

This page is intentionally left blank

12 Spare parts - upper arm extenders

Spare part list - upper arm extenders

Pos	Spare part number	Protection type	Color	180/ 2.55	235/ 2.55	210/ 2.55	205/ 2.75	185/ 2.8	130/ 3.2	200/ 2.55 (ID)	170/ 2.75 (ID)
A	3HAC15859-2 Arm extender 250 mm	Standard Clean Room						X			
A	3HAC038665-003 Arm extender 250 mm	Foundry Plus	ABB Orange					X			
	3HAC038665-004 Arm extender 250 mm	Foundry Plus	Graphite White					X			
B	3HAC038666-003 Arm extender 450 mm	Foundry Plus	ABB Orange						X		
	3HAC050495-001 Arm extender 450 mm	Foundry Plus	Graphite White						X		
-	3HAC026454-001 Cable cover, 250 mm							X			
-	3HAC044891-001 Cable cover, 450 mm								X		
-	3HAC043302-001 Gasket for cable cover on arm extender 250 mm	Foundry Plus						X			
-	3HAC055095-001 Gasket for cable cover on arm extender 250 mm	Foundry Prime						X			
-	3HAC043398-001 Gasket for cable cover on arm extender 450 mm	Foundry Plus							X		

Arm extenders - other parts

Pos	Part number	Description	180/ 2.55	235/ 2.55	210/ 2.55	205/ 2.75	185/ 2.8	130/ 3.2	200/ 2.55 (ID)	170/ 2.75 (ID)
	3HAB7700-69	Hex socket head cap screw M12x50, 12.9 Gleitmo (12 pcs)					X	X		

Continues on next page

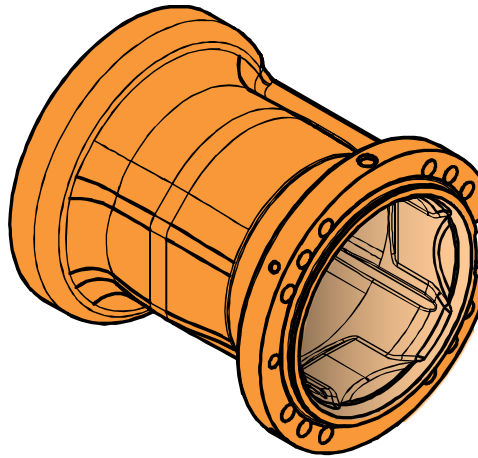
12 Spare parts - upper arm extenders

Continued

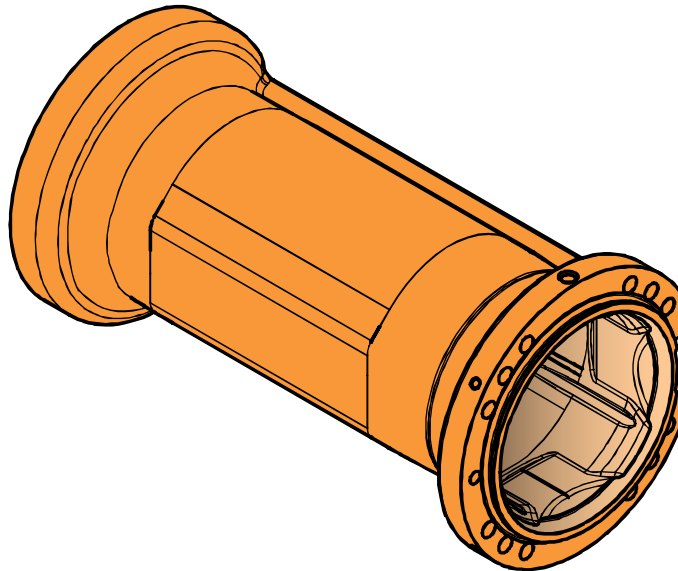
Pos	Part number	Description	180/ 2.55	235/ 2.55	210/ 2.55	205/ 2.75	185/ 2.8	130/ 3.2	200/ 2.55 (ID)	170/ 2.75 (ID)
	3HAA1001-134	Washer 13x19x1.5					X	X		
	9ABA107-56	Parallel pin					X	X		
	9ADA618-56	Torx pan head screw M6x16, 8.8-A2F (6 pcs)					X	X		

Illustration - arm extenders

A



B



xx100000259

13 Spare parts - SMB

Spare part list - SMB

	Spare Part number	Description	Protection type	Color	180/	235/	210/	205/	185/	130/	200/	170/
					255	255	255	275	2.8	3.2	255	275
					(ID)		(ID)					
506	3HAC044168-001	SMB unit, RMU101			X	X	X	X	X	X	X	X
	3HAC043904-001	SMB unit, RMU102			X	X	X	X	X	X	X	X
507	3HAC044075-001	Battery unit (3-pole battery contact)			X	X	X	X	X	X	X	X
	3HAC16831-1	Battery pack (2-pole battery contact) Does not fit SMB units 3HAC044168-001 and 3HAC043904-001.			X	X	X	X	X	X	X	X
508	3HAC13151-1	Cable battery/SMB			X	X	X	X	X	X	X	X
	3HAC046287-001	Cable battery/SMB Used with battery unit RMU 3HAC044075-001.			X	X	X	X	X	X	X	X
518	3HAC065020-001	DSQC1050 Brake release board			X	X	X	X	X	X	X	X
519	3HAC6499-1	Push button guard			X	X	X	X	X	X	X	X
530	3HAC14791-4	Cover battery box	Standard Foundry Plus Clean Room	ABB Orange	X	X	X	X	X	X	X	X
	3HAC050169-001	Cover battery box	Standard Foundry Plus Clean Room	Graphite White	X	X	X	X	X	X	X	X
	3HAC055398-001	Cover battery box	Foundry Prime	Grey		X			X			
531	3HAC026688-004	Cover SMB	Standard	Graphite White	X	X	X	X	X	X	X	X
	3HAC026688-003		Standard	ABB Orange	X	X	X	X	X	X	X	X
	3HAC055402-001		Foundry Prime	Grey		X			X			
514	3HAC15619-1	Cable FB7-SMB 1.7			X	X	X	X	X	X	X	X
521	3HAC026331-001	2BU Button Guard Plate			X	X	X	X	X	X	X	X
526	3HAC020105-001	Battery holder			X	X	X	X	X	X	X	X

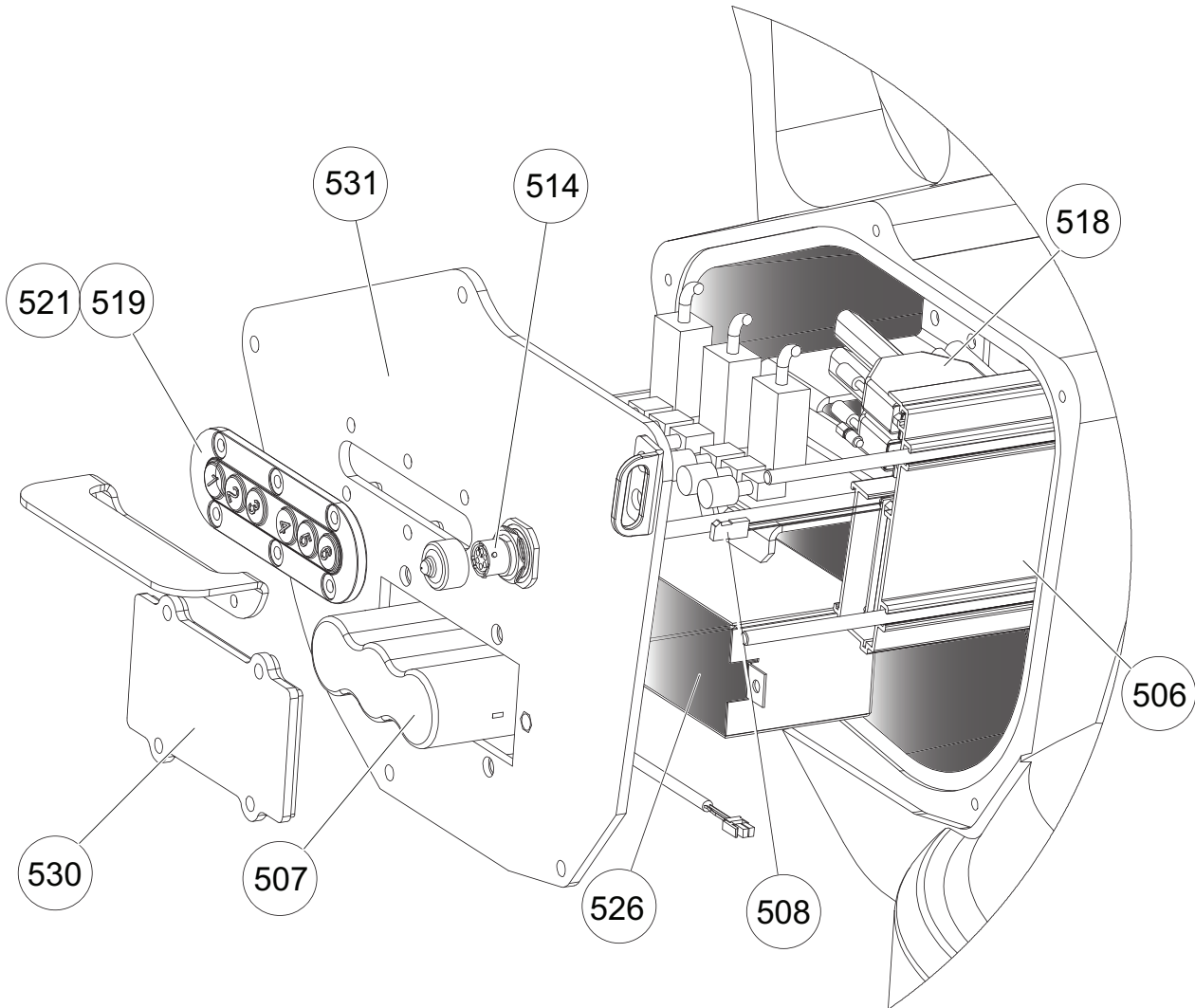
Continues on next page

13 Spare parts - SMB

Continued

Spare Part number	Description	Protection type	Color	180/	235/	210/	205/	185/	130/	200/	170/
				255	255	255	275	2.8	3.2	255 (ID)	275 (ID)
548	3HAC046520-001 Battery holder Required for installation of battery unit 3HAC044075-001.			X	X	X	X	X	X	X	X

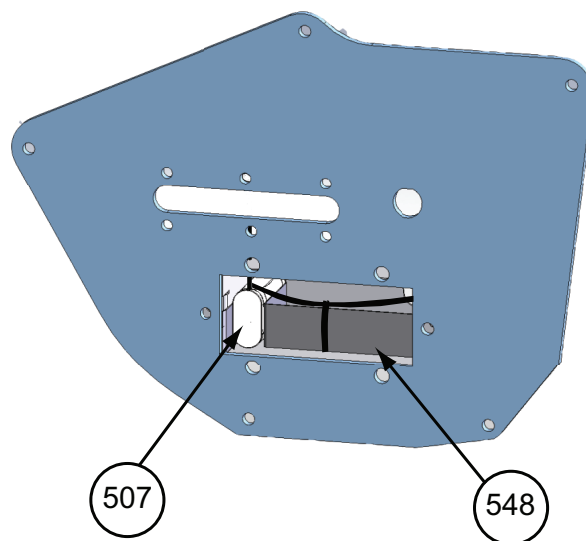
Illustration Spare part - SMB



xx080000443

- The figure above shows the battery pack 3HAC16831-1.

Continues on next page



xx130000309

-	The figure above shows the battery unit 3HAC044075-001.
---	---

This page is intentionally left blank

14 Spare parts - manipulator harness

Spare part list - manipulator harness

	Spare part number	Description	180/ 2.55	235/ 2.55	210/ 2.55	205/ 2.75	185/ 2.8	130/ 3.2	200/ 2.55 (ID)	170/ 2.75 (ID)
7	3HAC024385-001	Manipulator harness Axes 1-6 <i>Standard</i> <i>Foundry Plus</i>	X	X	X		X			
	3HAC069663-001	Manipulator harness Axes 1-6 <i>Foundry Prime</i>		X			X			
	3HAC024386-001	Manipulator harness Axes 1-6 <i>Standard</i> <i>Foundry Plus</i> <i>Foundry Prime</i>				X		X		
L	3HAC029840-003	Manipulator harness Axes 1-6/MH axis 1-3 cable <i>Clean Room</i>	X	X	X	X	X	X		
8	3HAC039428-001	Cable harness, manipulator Axes 1-4 <i>Standard</i> <i>Foundry Plus</i>							X	
8	3HAC039429-001	Cable harness, manipulator Axes 1-4 <i>Standard</i> <i>Foundry Plus</i>								X
	3HAC14139-1	Manipulator harness, Axis 5 <i>Standard</i> <i>Foundry Plus</i>	X	X	X	X	X	X		
	3HAC069656-001	Manipulator harness, Axis 5 <i>Foundry Prime</i>		X			X			
4	3HAC023717-001	Manipulator harness, Axes 5-6 <i>Standard</i> <i>Foundry Plus</i>							X	X

Continues on next page

14 Spare parts - manipulator harness

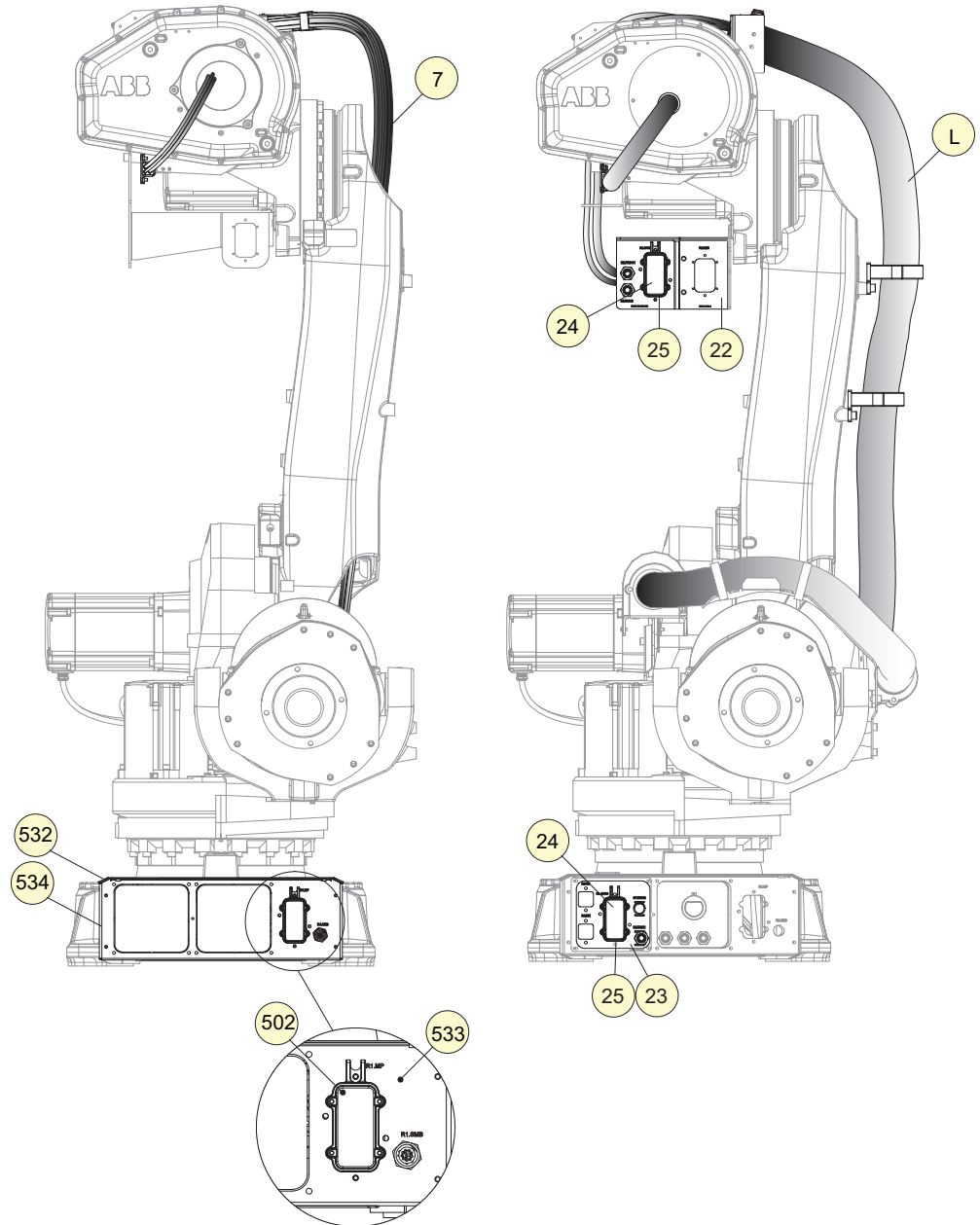
Continued

Manipulator harness - other parts

	Spare part number	Description	180/ 2.55	235/ 2.55	210/ 2.55	205/ 2.75	185/ 2.8	130/ 3.2	200/ 2.55 (ID)	170/ 2.75 (ID)
502	3HAC11774-3	Adapter, complete <i>Standard</i> <i>Foundry Plus</i> <i>Foundry Prime</i>	X	X	X	X	X	X	X	X
25	3HAC11774-3	Adapter, complete <i>Clean Room</i>	X	X	X	X	X	X		
533	3HAC025079-001	Connection plate <i>Standard</i>	X	X	X	X	X	X	X	X
533	3HAC034080-001	Connection plate FP <i>Foundry Plus</i> <i>Foundry Prime</i>	X	X	X	X	X	X	X	X
534	3HAC025080-001	Frame bracket <i>Standard</i> <i>Clean Room</i>	X	X	X	X	X	X	X	X
534	3HAC033314-001	Frame bracket FP <i>Foundry Plus</i> <i>Foundry Prime</i>	X	X	X	X	X	X		
23	3HAC030090-001	Attachment plate <i>Clean Room</i>	X	X	X	X	X	X		
24	3HAC13416-1	Cover <i>Clean Room</i>	X	X	X	X	X	X		
532	3HAC025081-001	Base cover <i>Standard</i> <i>Clean Room</i>	X	X	X	X	X	X	X	X
532	3HAC033315-001	Base cover FP <i>Foundry Plus</i> <i>Foundry Prime</i>		X			X			
22	3HAC13960-1	Connector bracket Axis 3 <i>Clean Room</i>	X	X	X	X	X	X		

Continues on next page

Illustration spare part manipulator harness



xx080000444

This page is intentionally left blank

15 Spare parts - other parts

Surface treatment

Part no.	Description
3HAC035355-001	Touch up paint Foundry Prime 2, Grey
3HAC037052-001	Touch up paint Foundry Prime, orange
3HAC036639-001	Touch up paint Clean Room, White

Labels and plates

Part no.	Description
3HAC038642-001	Label and plate set
3HAC032741-001	Label set, oil labels (IRB6640)

Options

Spare part number	Description
3HAC12937-9	Base plate
3HAC028196-001	UL signal lamp
3HAC037677-001	Axis-4 wheel unit

This page is intentionally left blank

16 Upgrade set Foundry Plus sealing

Standard manipulator

Qty	Art. number	Description	Dimension
1	3HAC045972-001	Upgrade set Foundry Plus sealing	
1		Gasket, wristhouse cover	
1		Gasket, cable cover tube shaft	
4		Torx pan head screw	M6x16
3		Torx pan head screw	M6x20
5		Torx pan head screw	M6x30
1		Cover	
1		Cover, holder	
1		Gasket, cover tube shaft	
1		Cover	

With arm extension 250 mm

Qty	Art. number	Description	Dimension
1	3HAC045972-002	Upgrade set Foundry Plus sealing for arm extension 250 mm	
1		Gasket, wristhouse cover	
1		Gasket, cable cover tube shaft	
4		Torx pan head screw	M6x16
3		Torx pan head screw	M6x20
5		Torx pan head screw	M6x30
1		Cover	
1		Cover, holder	
1		Gasket, cover tube shaft	
1		Gasket, cable cover arm extender 250 mm	
1		Cable cover 250mm - Stainless	
1		Cover	

With arm extension 450 mm

Qty	Art. number	Description	Dimension
1	3HAC045972-003	Upgrade set Foundry Plus sealing for arm extension 450 mm	
1		Gasket, wristhouse cover	
1		Gasket, cable cover tube shaft	
4		Torx pan head screw	M6x16
3		Torx pan head screw	M6x20

Continues on next page

16 Upgrade set Foundry Plus sealing

Continued

Qty	Art. number	Description	Dimension
5		Torx pan head screw	M6x30
1		Cover	
1		Cover, holder	
1		Gasket, cover tube shaft	
1		Gasket, cable cover arm extender 450 mm	
1		Cable cover 450mm - Stainless	
1		Cover	

17 Upgrade set Foundry Prime sealing

Standard manipulator

Qty	Art. number	Description	Dimension
1	3HAC051011-001	Upgrade set Foundry Prime sealing	
1		Gasket, wristhouse cover	
1		Gasket, cable cover tube shaft	
1		Gasket, cover tube shaft	
3		Gasket	
1		Push button guard	
1		O-ring (Viton FKM)	D:152.07 W:2.62
1		O-ring (Viton FKM)	D:107.62 W:2.62

With arm extension 250 mm

Qty	Art. number	Description	Dimension
1	3HAC051011-002	Upgrade set Foundry Prime sealing	
1		Gasket, wristhouse cover	
1		Gasket, cable cover tube shaft	
1		Gasket, cover tube shaft	
1		Gasket, cable cover arm extender 250 mm	
3		Gasket	
1		Push button guard	
1		O-ring (Viton FKM)	D:152.07 W:2.62
1		O-ring (Viton FKM)	D:107.62 W:2.62

This page is intentionally left blank

18 Over pressure system Foundry Prime

Material set

Qty	Art. number	Description	Note
-	3HAC064142-003	Over pressure unit	
-	3HAC026526-002	Pneumatic hose	
-	3HAC048793-001	Y-plug Connector	
-	3HAC048794-001	T-plug Connector	
-	3HAC048803-001	Bulkhead Plug Connector	
-	3HAC048805-001	Elbow fitting	
-	3HAC048807-001	Straight Fitting	



ABB AB, Robotics

Robotics and Motion

S-721 68 VÄSTERÅS, Sweden

Telephone +46 (0) 21 344 400

ABB AS, Robotics

Robotics and Motion

Nordlysvegen 7, N-4340 BRYNE, Norway

Box 265, N-4349 BRYNE, Norway

Telephone: +47 22 87 2000

ABB Engineering (Shanghai) Ltd.

Robotics and Motion

No. 4528 Kangxin Highway

PuDong District

SHANGHAI 201319, China

Telephone: +86 21 6105 6666

ABB Inc.

Robotics and Motion

1250 Brown Road

Auburn Hills, MI 48326

USA

Telephone: +1 248 391 9000

abb.com/robotics